

STANDARD COMPONENTS INCLUDE:

Boom, boom hoist cylinder, 2-speed winch, load line and 5 ton (4,5 mt) overhaul ball, turret, pedestal, dual operator control stations, LMI & ATB protection systems, sub-frame, a-frame link outriggers, a-frame rear stabilizers, hydraulic reservoir and boom rest.

HYDRAULICS

- 8-Bolt direct mounted PTO with SAE B or SAE BB output
- Three-section gear pump, SAE BB input (standard)

Pump Section	2000 RPM	2000 RPM
Shaft End Pump:	32.4 GPM @ 100 PSI	123 LPM @ 100 PSI
Center Pump:	20.6 GPM @ 100 PSI	78 LPM @ 100 PSI
Cover End Pump:	10 GPM @ 100 PSI	38 LPM @ 100 PSI

- Hydraulic reservoir - 70 gallon (265 liter) capacity

WARNING SYSTEMS

- Wireless LMI with display and crane function shut-offs for overload protection
- Wireless anti-two block system

OPTIONS

- Rear mount configuration (consult factory)
- Wired LMI and ATB system
- 22' (6,7 m) Flatbed - wood or 1/8" steel deck
- 22' (6,7 m) Heavy hauler flatbed - 3/16" steel deck w/rub rails
- 24" (610 mm) Bulkhead
- 29' (8,8 m) Fixed jib
- 29' (8,8 m) - 52' (15,8 m) 2-Section telescopic jib
- Rotation resistant wire rope, 9/16" (14,3 mm) diameter
- Load block - 1 & 3 sheave options
- Front center stabilizer for 360° work area
- Wireless load cell and display for load monitoring (included with jib)
- Three section vane pump, SAE B input
- Hydraulic oil cooler
- Hose reel - boom mounted
- Toolboxes
 - 24" L x 20" W x 18" H (610 mm x 508 mm x 457 mm)
 - 48" L x 18" W x 18" H (1220 mm x 457 mm x 457 mm)
- 2-Person gravity leveled non-rotating basket - 600 lb (272 kg) capacity
- 2-Person gravity leveled rotating (manual) basket - 1200 lb (544 kg) capacity
- 4-Function radio remote crane control system
- HYPAS hydraulic overload protection system with crane function shut-offs for main boom lifting operations

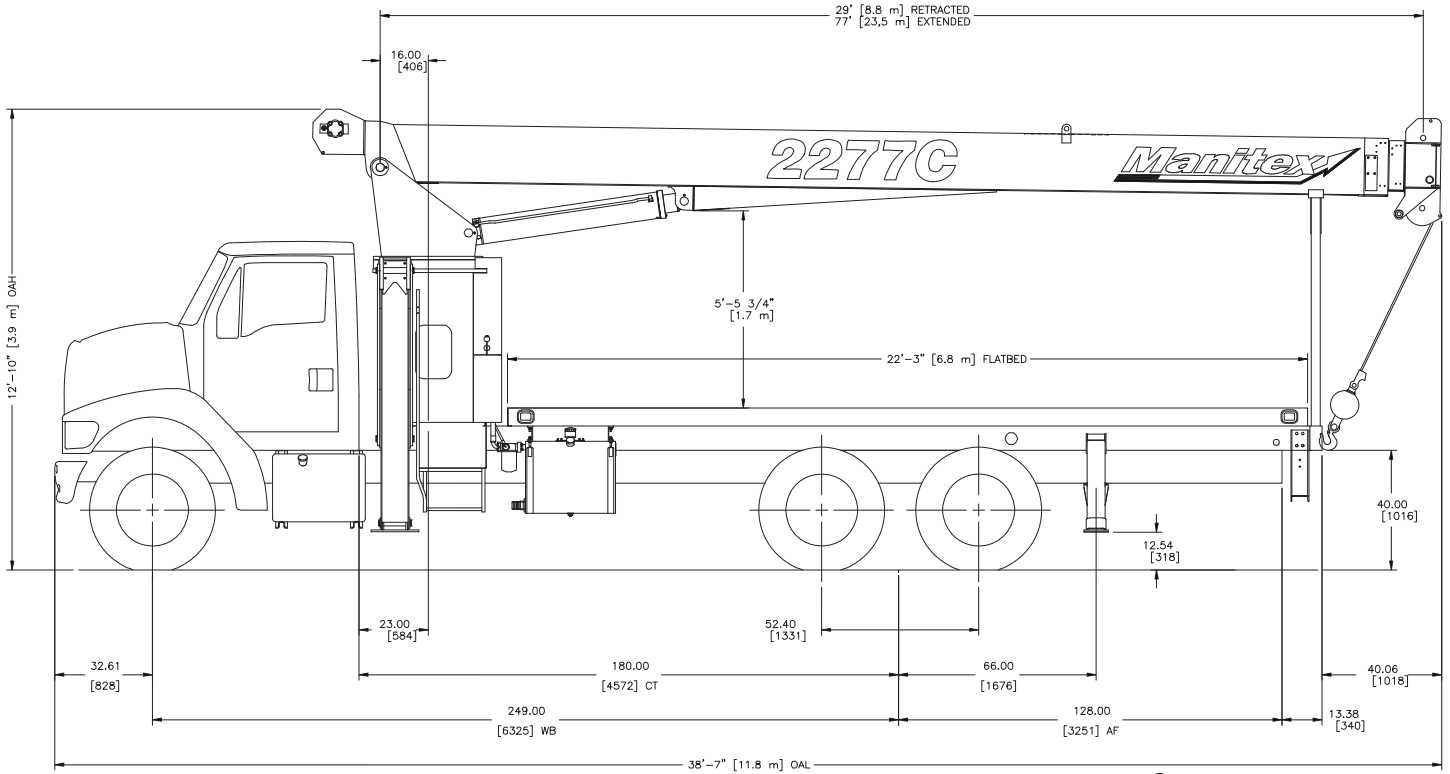
BOOM

- 22 Ton (19,9 mt) capacity @ 5' (1,5 m) radius
- 3-Section 77' (23,5 m) proportional boom
- 3-Sheave quick reeve boom point

HOIST

- Maximum theoretical line speed 300 fpm (91 mpm)
- Maximum theoretical bottom-layer line pull 11,500 lb (5,216 kg)
- Wire rope – 300' (91,4 m) of 9/16" (14,3 mm) diameter 6 x 25 EIPS IWRC

In order to ensure continuous improvement, Manitex reserves the right to change design and specifications without notice.



CHASSIS DATA	2277C
Wheelbase (WB)	249" 6 325 mm
Cab to Tandem (CT)	180" 4 572 mm
After Frame (AF)	102" 2 591 mm
Frame Section Modulus at 180°/360° Rotation (Minimum)*	20 in ³ 110,000 psi 758 423 kPa
Front Axle Gross Weight Rating	16,000 lb 7 257 kg
Rear Axle Gross Weight Rating	34,000 lb 15 422 kg
Minimum Truck Axle Weight - Front**	7,100 lb 3 221 kg
Minimum Truck Axle Weight - Back**	7,400 lb 3 357 kg
Nominal Frame Width	34" 864 mm

*Also applies to front frame extensions for single front stabilizer.
 **Minimum chassis weight is required to meet 85% stability requirements.
 Chassis data is general not for engineering. Some dimensions depend on truck selection.

WEIGHTS	2277C
Total Crane - Standard	17,163 lb 7 785 kg
Tractor Subframe	(2,015 lb) (914 kg)
18' (5,49 m) Flat Bed*	1,500 lb 703 kg
Telescopic Jib	827 lb 375 kg
Fixed Jib	542 lb 246 kg

*Optional for conventional mounted

MAXIMUM TIP HEIGHT (A)	2277C
Configuration	Boom 77' 23,5 m
Extended Boom	88' 2" 26,9 m
Fixed or Retracted Jib	117' 5" 35,8 m
Extended Jib	140' 1" 42,7 m

