

### STANDARD COMPONENTS INCLUDE:

Boom, boom hoist cylinder, 2-speed winch, load line and 5 ton (4,5 mt) overhaul ball, turret, ride-around operator control station with seat, HYCAS & ATB protection systems, sub-frame with access ladders and integrated outriggers, hydraulic reservoir and boom rest.

### HYDRAULICS

- 8-Bolt direct mounted PTO with SAE B or SAE BB output
- Three-section gear pump, SAE BB input (standard)

Pump Section	2000 RPM	2000 RPM
Shaft End Pump:	32.4 GPM @ 100 PSI	123 LPM @ 100 PSI
Center Pump:	20.6 GPM @ 100 PSI	78 LPM @ 100 PSI
Cover End Pump:	10 GPM @ 100 PSI	38 LPM @ 100 PSI

- Hydraulic reservoir - 70 gallon (265 liter) capacity

### WARNING SYSTEMS

- HYCAS hydraulic overload protection system with crane function shut-offs for main boom lifting operations
- Wired anti-two block system

### OPTIONS

- LMI overload protection system with digital display and crane function shut-offs
- Retracted, intermediate & full outrigger spread load charts (with LMI only)
- 13' (4 m) Flatbed - wood or steel
- 24" (610 mm) Bulkhead
- 29' (8,8 m) Fixed jib
- 29' (8,8 m) - 52' (15,8 m) 2-Section telescopic jib
- Wireless load cell and display for load monitoring (included with jib)
- Rotation resistant wire rope, 9/16" (14,3 mm) diameter
- Load block - 1 & 3 sheave options
- Three section vane pump, SAE B input

### BOOM

- 22 Ton (20,0 mt) capacity @ 5' (1,5 m) radius
- 3-Section 77' (30,8 m) proportional boom
- 3-Sheave quick reeve boom point

### HOIST

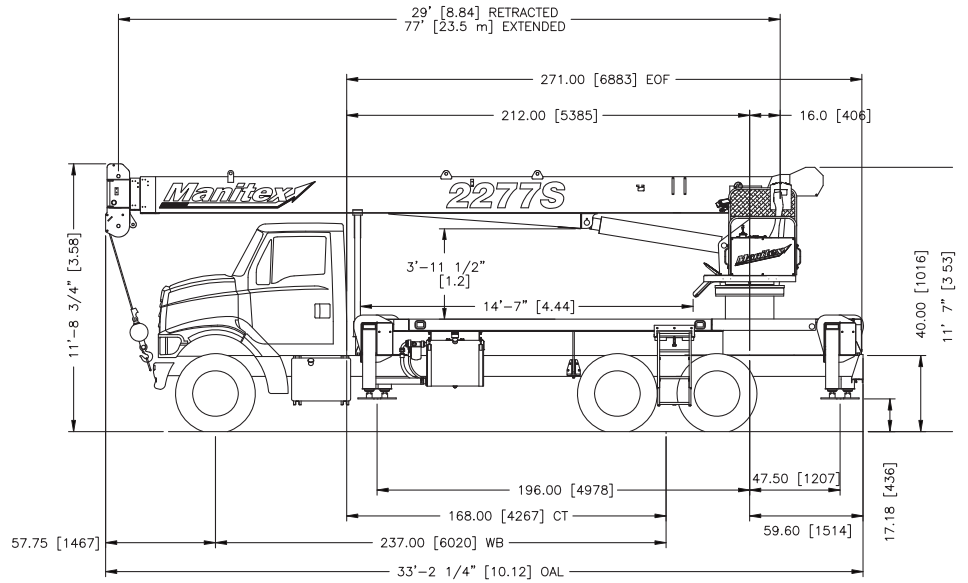
- Maximum theoretical line speed 300 fpm (91 mpm)
- Maximum theoretical bottom-layer line pull 11,500 lb (5,216 kg)
- Wire Rope – 300' (91,4 m) of 9/16" (14,3 mm) diameter 6 x 25 EIPS IWRC

*In order to ensure continuous improvement, Manitex reserves the right to change design and specifications without notice.*

- Operator cab with diesel heater, air conditioner (hydraulic) upgrade option
- Front center stabilizer
- Hydraulic oil cooler
- Hose reel - boom mounted
- Toolboxes
  - 24" L x 20" W x 18" H (610 mm x 508 mm x 457 mm)
  - 48" L x 18" W x 18" H (1220 mm x 457 mm x 457 mm)
- 2-Person gravity leveled non-rotating basket
- 2-Person gravity leveled rotating (manual) basket
- 4-Function radio remote crane control system

CHASSIS DATA	2277S TANDEM AXLE
Wheelbase (WB)	237" 6 020 mm
Cab to Tandem (CT)	168" 4 267mm
Cab to End of Frame (EOF)	271" 6 883 mm
Frame Section Modulus at 180° Area of Operation	15.9 in <sup>3</sup> 110,000 psi 758 422 kPa
Frame Section Modulus * at 360° of Operation	18.0 in <sup>3</sup> 50,000 psi 344 750 kPa
Front Axle Gross Weight Rating	12,000 lb 5 443 kg
Rear Axle Gross Weight Rating	34,000 lb 15 422 kg
Minimum Truck Axle Weight - Front**	5,750 lb 2 608 kg
Minimum Truck Axle Weight - Back**	6,750 lb 3 062 kg
Nominal Frame Width	34" 864 mm

\*Frame section modulus at 360° area of operation requires front bumper stabilizer.  
\*\*Minimum chassis weight is required to meet 85% stability requirements.  
Chassis data is general-not for engineering. Some dimensions depend on truck selection.



WEIGHTS	2277S
Crane Without Cab	17,579 lb 7,973 kg
Cab Alone	575 lb 261 kg
13' (4,0 m) Flat Bed	1,200 lb 544 kg
29' (8,8 m) Fixed Length Jib	820 lb 372 kg
29'-52' (8,8 m-15,9 m) Telescopic Jib	1,285 lb 583 kg

MAXIMUM TIP HEIGHT (A)	2277S
Configuration	Boom 77' 23,5 m
Extended Boom	86' 4" 26,3 m
Fixed Jib	115' 6" 35,2 m
Extended Telescopic Jib	138' 42,1 m

