



## 2281C

### STANDARD COMPONENTS INCLUDE:

Boom, boom hoist cylinder, 2-speed winch, load line and 5 Ton (4,5 mt) overhaul ball, turret, pedestal, dual operator control stations, LMI & ATB protection systems, sub-frame, a-frame link outriggers, a-frame rear stabilizers, hydraulic reservoir and boom rest.

### HYDRAULICS

- 8-Bolt direct mounted PTO with SAE B or SAE BB output
- Three-section gear pump, SAE BB input (standard)

Pump Section	2000 RPM	2000 RPM
Shaft End Pump:	32.4 GPM @ 100 PSI	123 LPM @ 100 PSI
Center Pump:	20.6 GPM @ 100 PSI	78 LPM @ 100 PSI
Cover End Pump:	10 GPM @ 100 PSI	38 LPM @ 100 PSI

- Hydraulic reservoir - 70 gallon (265 liter) capacity

### WARNING SYSTEMS

- Wireless LMI with display and crane function shut-offs for overload protection
- Wireless anti-two block system

### OPTIONS

- Tractor mount configuration (consult factory)
- Wired LMI and ATB system
- 18' (5,9 m) Flatbed - wood or 1/8" steel deck
- 24" (610 mm) Bulkhead
- 23.7' (7,2 m) Fixed jib
- 23.7' (7,2 m) - 40.7' (12,4 m) 2-Section telescopic jib
- Rotation resistant wire rope, 9/16" (14,3 mm) diameter
- Load block - 1 & 3 sheave options
- Front center stabilizer for 360° work area
- Three section vane pump, SAE B input

### BOOM

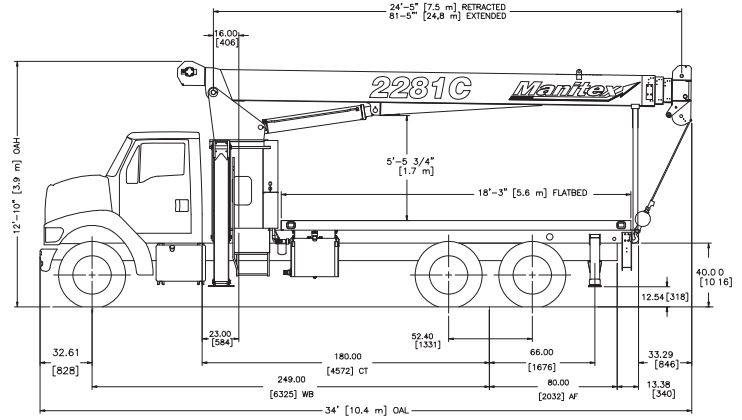
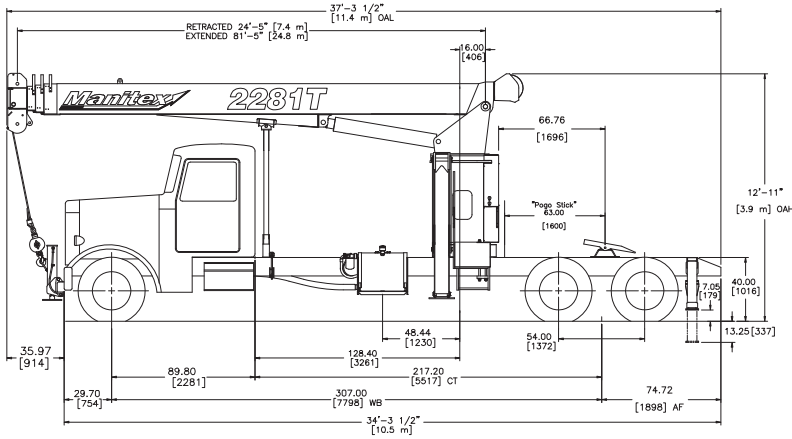
- 22 Ton (19,9 mt) capacity @ 5' (1,5 m) radius
- 4-Section 81' (24,7 m) proportional boom
- 3-Sheave quick reeve boom point

### HOIST

- Maximum theoretical line speed 300 fpm (91 mpm)
- Maximum theoretical bottom-layer line pull 11,500 lb (5,216 kg)
- Wire Rope – 300' (91,4 m) of 9/16" (14,3 mm) diameter 6 x 25 EIPS IWRC

*In order to ensure continuous improvement, Manitex reserves the right to change design and specifications without notice.*

- Hydraulic oil cooler
- Hose reel - boom mounted
- Toolboxes
  - 24" L x 20" W x 18" H (610 mm x 508 mm x 457 mm)
  - 48" L x 18" W x 18" H (1220 mm x 457 mm x 457 mm)
- 2-Person gravity leveled non-rotating basket - 600 lb (272 kg) capacity
- 2-Person gravity leveled rotating (manual) basket - 1200 lb (544 kg) capacity
- 4-Function radio remote crane control system



CHASSIS DATA	2281C	Tractor Mounted
Wheelbase (WB)	249" 6 325 mm	292" 7 416 mm
Cab to Tandem (CT)	180" 4 572 mm	228" 5 791 mm
After Frame (AF)	102" 2 591 mm	70" 1 778 mm
Frame Section Modulus at 180°/360° Rotation (Minimum)*	20 in <sup>3</sup> 110,000 psi 758 423 kPa	30 in <sup>3</sup> 110,000 psi 758 423 kPa
Front Axle Gross Weight Rating	16,000 lb 7 257 kg	20,000 lb 9 072 kg
Rear Axle Gross Weight Rating	34,000 lb 15 422 kg	40,000 lb 18 144 kg
Minimum Truck Axle Weight - Front**	7,100 lb 3 221 kg	consult factory
Minimum Truck Axle Weight - Back**	7,400 lb 3 357 kg	consult factory
Nominal Frame Width	34" 864 mm	34" 864 mm

\*Also applies to front frame extensions for single front stabilizer.  
 \*\*Minimum chassis weight is required to meet 85% stability requirements.  
 Chassis data is general-not for engineering. Some dimensions depend on truck selection.

WEIGHTS	2281C/T
Total Crane - Standard	15,159 lb 6 876 kg
Tractor Subframe	319 lb 148 kg
Subframe for 18' bed	2,166 lb 983 kg
18' (5.49 m) Flat Bed*	1,500 lb 703 kg
Telescopic Jib	827 lb 375 kg
Fixed JIB	542 lb 246 kg

\*Optional for conventional mounted

MAXIMUM TIP HEIGHT (A)	2281C/T
Configuration	Boom 81' 24.7 m
Extended Boom	92' 6" 28.2 m
Fixed or Retracted Jib	116' 5" 35.5 m
Extended Jib	133' 2" 40.6 m

