

**STANDARD COMPONENTS INCLUDE:**

Boom, boom hoist cylinder, 2-speed winch, load line and 5 Ton (4,5 mt) overhaul ball, turret, pedestal, dual operator control stations, LMI & ATB protection systems, sub-frame, a-frame link outriggers, a-frame rear stabilizers, hydraulic reservoir and boom rest.

**HYDRAULICS**

- 8-Bolt direct mounted PTO with SAE B or SAE BB output
- Three-section gear pump, SAE BB input (standard)

Pump Section	2000 RPM	2000 RPM
Shaft End Pump:	32.4 GPM @ 100 PSI	123 LPM @ 100 PSI
Center Pump:	20.6 GPM @ 100 PSI	78 LPM @ 100 PSI
Cover End Pump:	10 GPM @ 100 PSI	38 LPM @ 100 PSI

- Hydraulic reservoir - 70 gallon (265 liter) capacity

**WARNING SYSTEMS**

- Wireless LMI with display and crane function shut-offs for overload protection
- Wireless anti-two block system

**OPTIONS**

- Out-down pedestal outriggers
- Wired LMI and ATB system
- 20' (6,2 m) Flatbed - wood or 1/8" steel deck
- 20' (6,2 m) Heavy hauler flatbed - 3/16" steel deck w/rub rails
- 24" (610 mm) Bulkhead
- 26' (7,9 m) Fixed jib
- 26' (7,9 m) - 46' (14,0 m) 2-Section telescopic jib
- Rotation resistant wire rope, 9/16" (14,3 mm) diameter
- Load block - 1 & 3 sheave options
- Front center stabilizer for 360° work area
- Three section vane pump, SAE B input

**BOOM**

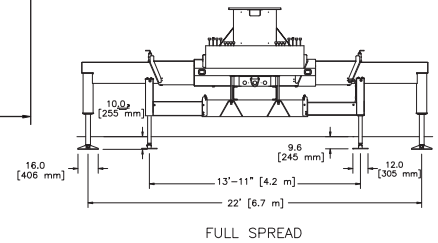
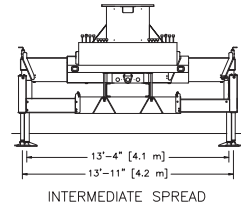
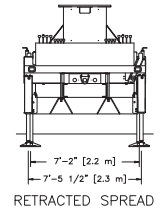
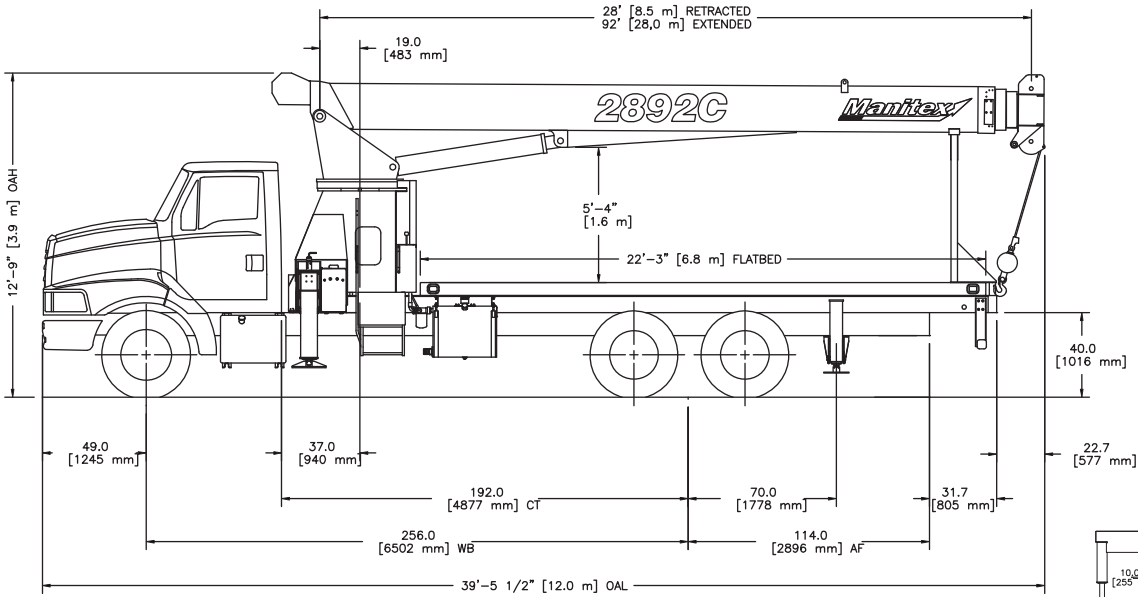
- 28 Ton (24,4 mt) capacity @ 5' (1,5 m) radius
- 4-Section 92' (28,0 m) proportional boom
- 3-Sheave quick reeve boom point

**HOIST**

- Maximum theoretical line speed 300 fpm (91 mpm)
- Maximum theoretical bottom-layer line pull 11,500 lb (5,216 kg)
- Wire Rope – 300' (91,4 m) of 9/16" (14,3 mm) diameter 6 x 25 EIPS IWRC

*In order to ensure continuous improvement, Manitex reserves the right to change design and specifications without notice.*

- Hydraulic oil cooler
- Hose reel - boom mounted
- Toolboxes
  - 24" L x 20" W x 18" H (610 mm x 508 mm x 457 mm)
  - 48" L x 18" W x 18" H (1220 mm x 457 mm x 457 mm)
- 2-Person gravity leveled non-rotating basket - 600 lb (272 kg) capacity
- 2-Person gravity leveled rotating (manual) basket - 1200 lb (544 kg) capacity
- 4-Function radio remote crane control system
- Wireless load cell and display for load monitoring (included with jib)



CHASSIS DATA	2892C
Wheelbase (WB)	249" 6 426 mm
Cab to Tandem (CT)	180" 4 527 mm
After Frame (AF)	102" 2 591 mm
Frame Section Modulus	23 in <sup>3</sup> 110,000 psi 758 422 kPa
Frame Section Modulus at 180°/360° Rotation (Minimum)*	28 in <sup>3</sup> 110,000 psi 758 422 kPa
Front Axle Gross Weight Rating	16,000 lb 7 257 kg
Rear Axle Gross Weight Rating	34,000 lb 15 422 kg
Minimum Truck Axle Weight - Front**	8,500 lb 3 855 kg
Minimum Truck Axle Weight - Back**	8,150 lb 3 697 kg
Nominal Frame Width	34" 864 mm

WEIGHTS	2892C
Total Crane - Standard	20,452 lb 9 292 kg
Total Crane - Out & Down Outrigger	21,622 lb 11 184 kg
20' (6,10 m) Flat Bed - Standard Outriggers	1,840 lb 835 kg
22' (6,71 m) Flat Bed - Out & Down Outrigger	2,000 lb 907 kg
26' (7,93 m) Fixed Length Jib	832 lb 377 kg
26' (7,93 m) Fixed Length Jib	1,226 lb 556 kg

MAXIMUM TIP HEIGHT (A)	2892C
Configuration	Boom 92' 28,0 m
Extended Boom	103' 31,4 m
Fixed or Retracted Jib	129' 4" 39,4 m
Extended Jib	149' 45,4 m

\*Also applies to front frame extensions for single front stabilizer.  
 \*\*Minimum chassis weight is required to meet 85% stability requirements.  
 Chassis data is general-not for engineering. Some dimensions depend on truck selection.

