



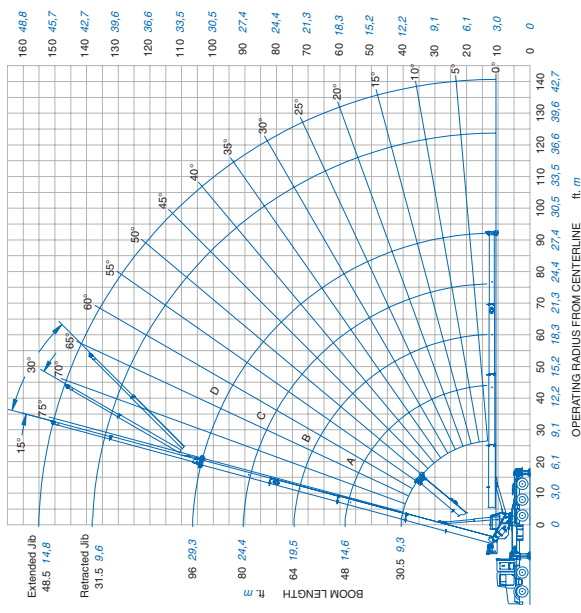
model 4596T

BOOM TRUCK

features

- Maximum Lift Capacity of 90,000 lbs at 8' (2,4m)
- 4-Section 96' (29,3m) Proportional Boom
- Maximum Sheave Height of 155' (47,2m)
- Two Speed Planetary Grooved Drum Hoist with Rope Tensioner
- Swing Around Operator Control Station
- Fully Enclosed Cab with Diesel Heater
- 4 Hydraulic Single-Axis Low Effort Boom Controls
- Radio Remote Outrigger Controls with Audible Outrigger and Motion Alarm
- Continuous rotation
- Free Swing
- Hydraulic Oil Cooler
- ACCU-Swing
- Teflon Impregnated Boom Slider Pads
- Sub-Frame for Tractor 5th Wheel (5th wheel not included)
- Air Foot Throttle
- 360° Work Area (Requires F.B.S.)
- Load Moment Indicator with Digital Display, CAN bus, Overload Shutdown and Internal Boom Length Cable
- Radio ATB
- Rugged, Weatherproof, Automotive Style Electrical System
- System Pressure Gauge
- Unparalleled Machine Stability
- Heavy Duty Sub-Frame
- Clamp-On Mounting
- Design Meets ANSI A92.2 and ANSI B30.5 Recommendations
- Manitex **Uptime** Comprehensive Support

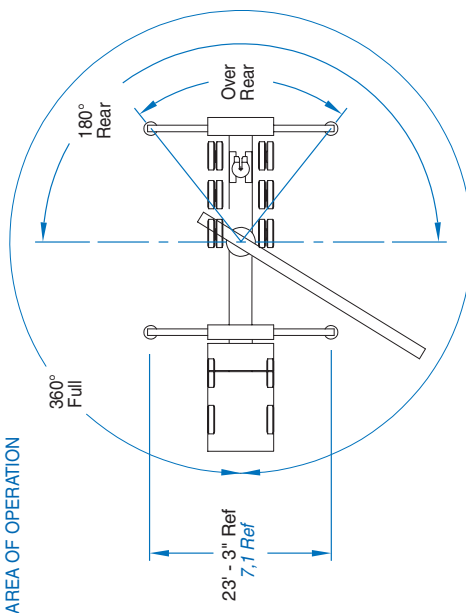




Meets ANSI B30.5 Requirements - Do not operate crane or accessories with 10' (3.05m) of live power lines.

NOTICE: This chart is for reference only and must not be used for lifting purposes. Consult factory for other boom options.

AREA OF OPERATION



USE THIS CHART ONLY WHEN OUTRIGGERS & STABILIZERS ARE FULLY EXTENDED.

OUTRIGGER AND STABILIZERS FULLY EXTENDED - MODEL 4596T

MAIN BOOM LOAD RATINGS

Operating Radius Feet Meters	Boom Length 80 Feet 24.4 Meters (C)				Boom Length 96 Feet 29.3 Meters (D)				
	Over Rear		360° Full		Over Rear		360° Full		
	lb.	kg.	lb.	kg.	lb.	kg.	lb.	kg.	
20	74	27,500	27,500	27,500	27,500	75	18,000	18,000	18,000
6.1	70	24,300	12,473	12,473	24,300	75	18,000	18,000	18,000
25	70	24,300	12,473	12,473	24,300	75	18,000	18,000	18,000
7.6	66	21,280	11,022	11,022	21,280	73	17,500	17,500	17,500
30	66	21,280	11,022	11,022	21,280	73	17,500	17,500	17,500
9.1	62	19,050	9,652	9,652	19,050	69	16,240	16,240	16,240
35	62	19,050	9,652	9,652	19,050	69	16,240	16,240	16,240
10.7	58	16,980	8,640	8,640	16,980	65	14,660	14,660	14,660
40	58	16,980	8,640	8,640	16,980	65	14,660	14,660	14,660
12.2	53	15,250	7,702	7,702	15,250	62	13,280	13,280	13,280
45	53	15,250	7,702	7,702	15,250	62	13,280	13,280	13,280
13.7	49	13,800	6,917	6,917	13,800	58	12,130	12,130	12,130
50	49	13,800	6,917	6,917	13,800	58	12,130	12,130	12,130
15.2	44	12,550	6,259	6,259	12,550	54	11,080	11,080	11,080
55	44	12,550	6,259	6,259	12,550	54	11,080	11,080	11,080
16.8	38	11,460	5,692	5,692	11,460	50	10,190	10,190	10,190
60	38	11,460	5,692	5,692	11,460	50	10,190	10,190	10,190
18.3	31	10,520	5,198	5,198	10,520	46	9,384	9,384	9,384
65	31	10,520	5,198	5,198	10,520	46	9,384	9,384	9,384
19.8	22	9,960	4,771	4,771	9,960	41	8,820	8,820	8,820
70	22	9,960	4,771	4,771	9,960	41	8,820	8,820	8,820
21.3	75	4,517	2,975	2,975	4,517	36	8,150	8,150	8,150
22.9	80	4,517	2,975	2,975	4,517	30	7,530	7,530	7,530
24.4	85	4,517	2,975	2,975	4,517	23	6,990	6,990	6,990
85	90	4,517	2,975	2,975	4,517	8	6,080	6,080	6,080
25.9	27.4	4,517	2,975	2,975	4,517	8	6,080	6,080	6,080
90	27.4	4,517	2,975	2,975	4,517	8	6,080	6,080	6,080
27.4	27.4	4,517	2,975	2,975	4,517	8	6,080	6,080	6,080

OUTRIGGER AND STABILIZERS FULLY EXTENDED - MODEL 4596T

MAIN BOOM LOAD RATINGS

Operating Radius Feet Meters	Boom Length 30.5 Feet 9.3 Meters				Boom Length 48 Feet 14.6 Meters (A)				Boom Length 64 Feet 19.5 Meters (B)			
	Over Rear		360° Full		Over Rear		360° Full		Over Rear		360° Full	
	lb.	kg.	lb.	kg.	lb.	kg.	lb.	kg.	lb.	kg.	lb.	kg.
5	69	89,990	48,819	48,819	89,990	73	51,000	51,000	51,000	40,000	40,000	40,000
1.52	65	89,990	48,819	48,819	89,990	73	51,000	51,000	51,000	40,000	40,000	40,000
8	65	89,990	48,819	48,819	89,990	73	51,000	51,000	51,000	40,000	40,000	40,000
2.44	61	80,000	36,287	36,287	80,000	70	51,000	51,000	51,000	40,000	40,000	40,000
3.05	56	70,000	31,752	31,752	70,000	66	51,000	51,000	51,000	40,000	40,000	40,000
12	56	70,000	31,752	31,752	70,000	66	51,000	51,000	51,000	40,000	40,000	40,000
3.66	49	56,000	25,401	25,401	56,000	59	42,500	42,500	42,500	37,650	37,650	37,650
15	49	56,000	25,401	25,401	56,000	59	42,500	42,500	42,500	37,650	37,650	37,650
4.57	44	41,800	18,960	18,960	41,800	52	35,100	35,100	35,100	30,430	30,430	30,430
20	34	41,800	18,960	18,960	41,800	52	35,100	35,100	35,100	30,430	30,430	30,430
6.10	30	29,320	15,921	15,921	29,320	44	29,320	29,320	29,320	27,040	27,040	27,040
25	30	29,320	15,921	15,921	29,320	44	29,320	29,320	29,320	27,040	27,040	27,040
7.62	25	24,420	12,170	12,170	24,420	34	24,420	24,420	24,420	22,110	22,110	22,110
9.14	25	24,420	12,170	12,170	24,420	34	24,420	24,420	24,420	22,110	22,110	22,110
35	20	20,690	11,076	11,076	20,690	20	20,690	20,690	20,690	17,330	17,330	17,330
10.67	20	20,690	11,076	11,076	20,690	20	20,690	20,690	20,690	17,330	17,330	17,330
12.19	45	9,384	7,860	7,860	9,384	40	18,220	18,220	18,220	14,500	14,500	14,500
45	45	9,384	7,860	7,860	9,384	40	18,220	18,220	18,220	14,500	14,500	14,500
13.72	50	8,264	6,577	6,577	8,264	32	15,890	15,890	15,890	12,020	12,020	12,020
50	55	8,264	6,577	6,577	8,264	32	15,890	15,890	15,890	12,020	12,020	12,020
15.24	21	13,960	6,332	6,332	13,960	21	13,960	13,960	13,960	10,090	10,090	10,090
55	21	13,960	6,332	6,332	13,960	21	13,960	13,960	13,960	10,090	10,090	10,090
16.76	21	13,960	6,332	6,332	13,960	21	13,960	13,960	13,960	10,090	10,090	10,090