

# Load Rating Chart

***Model 50110S***

***Manitex***

© Manitex 2000

**NOTE:** Additional copies of this Load Rating Chart can be purchased from your Manitex Distributor. When ordering, use the part number shown in the bottom left corner of this page.

## LMI OPERATING CODES

CODE	CRANE CONFIGURATION	OUTRIGGER CONFIGURATION	AREA OF OPERATION
#1	MAIN BOOM	FULLY EXTENDED	OVER REAR
#3	MAIN BOOM	FULLY EXTENDED	FULL 360°
#4	MAIN BOOM	MID POSITION	FULL 360°
#5	MAIN BOOM	RETRACTED	FULL 360°
#6	MAIN BOOM	ON TIRES	DIRECTLY OVER REAR
#7	RETRACTED JIB 0° OFFSET	FULLY EXTENDED	OVER REAR
#8	RETRACTED JIB 0° OFFSET	FULLY EXTENDED	FULL 360°
#9	RETRACTED JIB 15° OFFSET	FULLY EXTENDED	OVER REAR
#10	RETRACTED JIB 15° OFFSET	FULLY EXTENDED	FULL 360°
#11	RETRACTED JIB 30° OFFSET	FULLY EXTENDED	OVER REAR
#12	RETRACTED JIB 30° OFFSET	FULLY EXTENDED	FULL 360°
#13	EXTENDED JIB 0° OFFSET	FULLY EXTENDED	OVER REAR
#14	EXTENDED JIB 0° OFFSET	FULLY EXTENDED	FULL 360°
#15	EXTENDED JIB 15° OFFSET	FULLY EXTENDED	OVER REAR
#16	EXTENDED JIB 15° OFFSET	FULLY EXTENDED	FULL 360°
#17	EXTENDED JIB 30° OFFSET	FULLY EXTENDED	OVER REAR
#18	EXTENDED JIB 30° OFFSET	FULLY EXTENDED	FULL 360°
#19	RETRACTED JIB 0° OFFSET	MID POSITION	FULL 360°
#20	RETRACTED JIB 15° OFFSET	MID POSITION	FULL 360°
#21	RETRACTED JIB 30° OFFSET	MID POSITION	FULL 360°
#22	EXTENDED JIB 0° OFFSET	MID POSITION	FULL 360°
#23	EXTENDED JIB 15° OFFSET	MID POSITION	FULL 360°
#24	EXTENDED JIB 30° OFFSET	MID POSITION	FULL 360°
#25	PERSONNEL LIFTING MAIN BOOM	FULLY EXTENDED	FULL 360°
#26	PERSONNEL LIFTING RETR JIB 0° OFFSET	FULLY EXTENDED	FULL 360°
#27	PERSONNEL LIFTING RETR JIB 15° OFFSET	FULLY EXTENDED	FULL 360°
#28	PERSONNEL LIFTING RETR JIB 30° OFFSET	FULLY EXTENDED	FULL 360°
#29	PERSONNEL LIFTING EXTENDED JIB 0° OFFSET	FULLY EXTENDED	FULL 360°
#30	PERSONNEL LIFTING EXTENDED JIB 15° OFFSET	FULLY EXTENDED	FULL 360°
#31	PERSONNEL LIFTING EXTENDED JIB 30° OFFSET	FULLY EXTENDED	FULL 360°

### **WARNING**

1. THE OPERATOR MUST READ AND UNDERSTAND THE OWNER'S MANUAL BEFORE OPERATING THIS CRANE.
2. POSITIONING OR OPERATION OF CRANE BEYOND AREAS SHOWN ON THIS CHART IS NOT INTENDED OR APPROVED EXCEPT WHERE SPECIFIED IN OWNER'S MANUAL.
3. LOADED BOOM ANGLES AT SPECIFIED BOOM LENGTHS GIVE ONLY AN APPROXIMATION OF THE OPERATING RADIUS. THE BOOM ANGLE BEFORE LOADING SHOULD BE GREATER TO ACCOUNT FOR DEFLECTIONS. DO NOT EXCEED THE OPERATING RADIUS FOR RATED LOADS.
4. THE OPERATING RADIUS SHOWN IN THE JIB RATING CHART IS FOR FULLY EXTENDED BOOM ONLY. WHEN BOOM IS NOT FULLY EXTENDED, USE ONLY LOADED BOOM ANGLE TO DETERMINE LOAD RATING OF JIB.
5. FOR BOOM ANGLES NOT SHOWN ON JIB LOAD RATING CHART, USE RATING OF NEXT LOWER BOOM ANGLE.

## **WARNING (CONTINUED)**

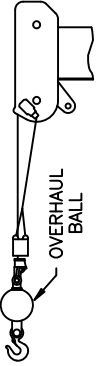
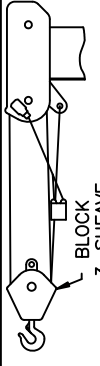
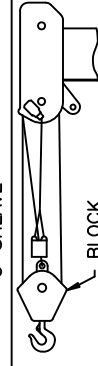
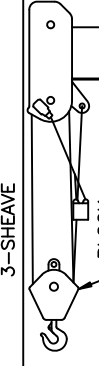

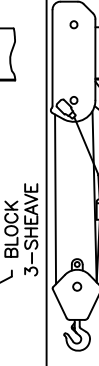
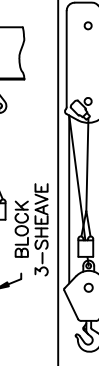



6. FOR BOOM LENGTHS NOT SHOWN, USE RATING OF NEXT SHORTER OR LONGER BOOM LENGTH, WHICHEVER IS LESS. FOR RADII NOT SHOWN, USE RATING OF NEXT LONGER RADIUS.
7. CRANE LOAD RATINGS ON OUTRIGGERS ARE BASED ON FREELY SUSPENDED LOADS WITH THE MACHINE LEVELED AND STANDING ON A FIRM UNIFORM SUPPORTING SURFACE. NO ATTEMPT SHALL BE MADE TO MOVE A LOAD HORIZONTALLY ON THE GROUND IN ANY DIRECTION.
8. PRACTICAL WORKING LOADS DEPEND ON SUPPORTING SURFACE, WIND, AND OTHER FACTORS AFFECTING STABILITY SUCH AS HAZARDOUS SURROUNDINGS, EXPERIENCE OF PERSONNEL, AND PROPER HANDLING, ALL OF WHICH MUST BE TAKEN INTO ACCOUNT BY THE OPERATOR.
9. THE MAXIMUM LOAD WHICH MAY BE TELESCOPED IS LIMITED BY HYDRAULIC PRESSURE, BOOM ANGLE, AND BOOM LUBRICATION. IT IS SAFE TO ATTEMPT TO TELESCOPE ANY LOAD WITHIN THE LIMITS OF THE LOAD RATING CHART.

## **INFORMATION**

1. DEDUCTIONS MUST BE MADE FROM RATED LOADS FOR STOWED JIB, OPTIONAL ATTACHMENTS, HOOKS, AND LOADBLOCKS (SEE DEDUCTION CHART). WEIGHTS OF SLINGS AND ALL OTHER LOAD HANDLING DEVICES SHALL BE CONSIDERED A PART OF THE LOAD.
2. LOAD RATINGS ABOVE THE HEAVY LINE ARE STRUCTURALLY LIMITED CAPACITIES. LOAD RATINGS BELOW THE HEAVY LINE ARE STABILITY LIMITED CAPACITIES AND DO NOT EXCEED 85% OF TIPPING.

## **DEFINITIONS**

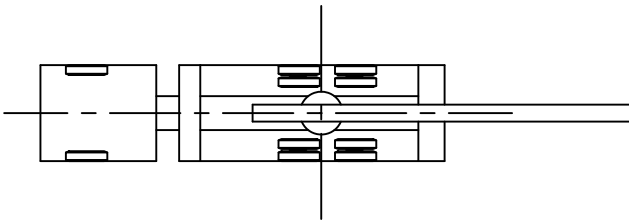
1. OPERATING RADIUS IS THE HORIZONTAL DISTANCE FROM THE AXIS OF ROTATION TO THE CENTER OF THE VERTICAL HOIST LINE OR TACKLE WITH LOAD APPLIED.
2. LOADED BOOM ANGLE IS THE INCLUDED ANGLE BETWEEN THE HORIZONTAL AND LONGITUDINAL AXES OF THE BOOM BASE AFTER LIFTING RATED LOAD AT RATED RADIUS.

ALLOWABLE LINE PULL										WARNING
1 PART LINE	2 PART LINE	3 PART LINE	4 PART LINE	5 PART LINE	6 PART LINE	7 PART LINE	8 PART LINE	9 PART LINE	10 PART LINE	
										<p>ANTI-TWO-BLOCK SYSTEM MUST BE IN GOOD OPERATING CONDITION BEFORE OPERATING CRANE.</p> <p>REFER TO THE OWNER'S MANUAL.</p> <p>KEEP AT LEAST 3 WRAPS OF LOAD LINE ON THE DRUM AT ALL TIMES.</p>
10000 LBS	20000 LBS	30000 LBS	40000 LBS	50000 LBS	60000 LBS	70000 LBS	80000 LBS	90000 LBS	100000 LBS	<p>5/8" 6 X 19 CLASS (3.5:1 SF) 35,000 LBS MIN BREAKING STRENGTH</p> <p>5/8" ROT RESISTANT (5:1 SF) 50,000 LBS MIN BREAKING STRENGTH</p>

## AREA OF OPERATIONS

### ON TIRES

WHEN LIFTING ON TIRES, THE BOOM MUST BE CENTERED OVER THE REAR OF THE CRANE WITH THE SWING BRAKE AND THE HOUSELOCK ENGAGED.

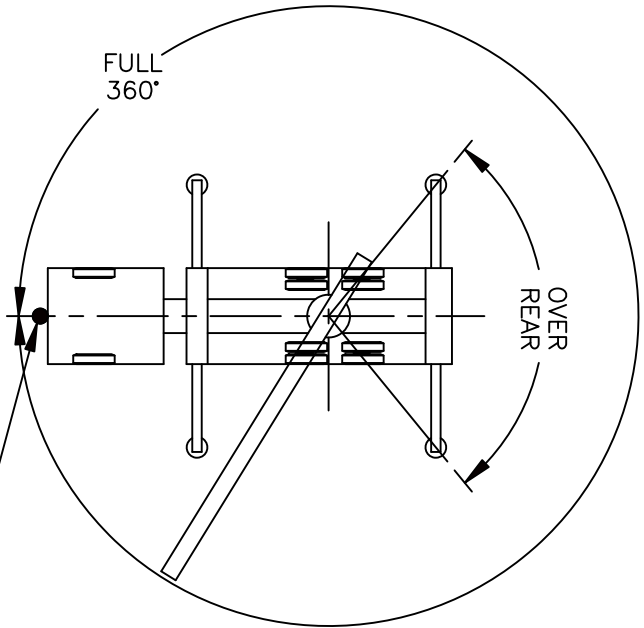


IF SUPPLIED THE FRONT BUMPER STABILIZER MUST BE SET IN ACCORDANCE TO THE OPERATORS MANUAL BEFORE WORKING IN THE "FULL 360" AREA

IF A FRONT BUMPER STABILIZER WAS NOT SUPPLIED THEN THE FRONT TIRES MUST BE IN CONTACT WITH THE GROUND BEFORE WORKING IN THE "FULL 360" AREA

### ON OUTRIGGERS

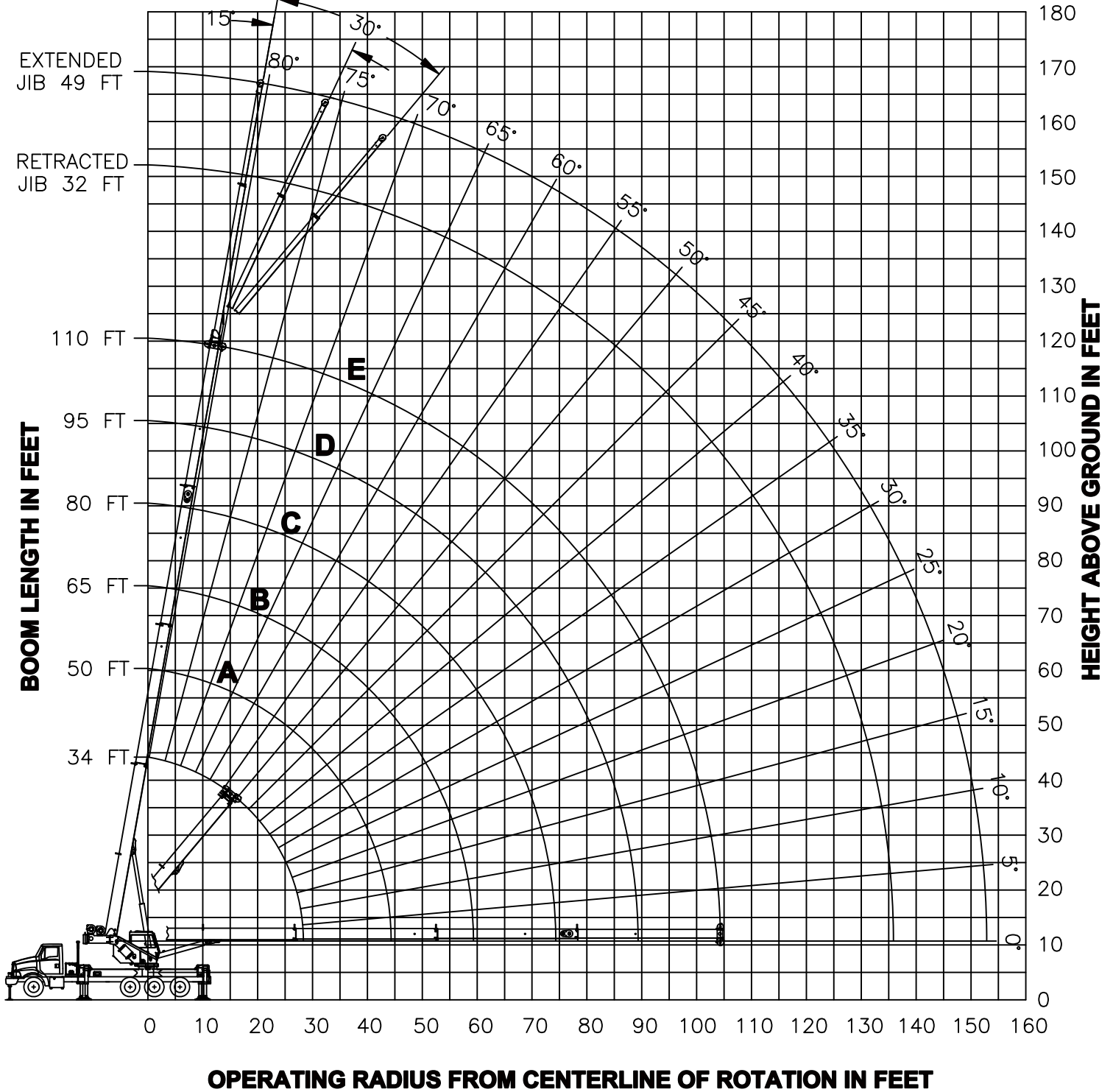
FULL 360°



### DEDUCTIONS FROM RATED LOADS FOR LOAD HANDLING DEVICES SUPPLIED BY MANITEX

AUXILIARY BLOCK	-----	50 LBS
ROOSTER SHEAVE	-----	70 LBS
LIFTING FROM MAIN BOOM WITH JIB STOWED OR ERECTED	-----	SEE LOAD CHART
OVERHAUL BALL	-----	SEE MANUFACTURER NAMEPLATE
LOAD BLOCK	-----	SEE MANUFACTURER NAMEPLATE

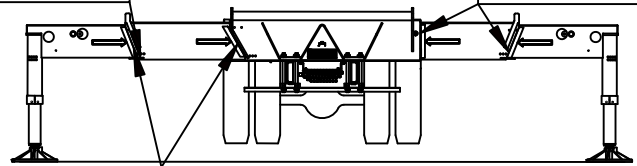
**- RANGE DIAGRAM -**



**USE THIS CHART ONLY  
WHEN ALL OUTRIGGER  
BEAMS ARE FULLY  
EXTENDED**

PINS MUST BE  
DISENGAGED FOR  
THIS OUTRIGGER  
CONFIGURATION

OUTRIGGER  
BEAMS MUST  
BE EXTENDED  
TO MARK

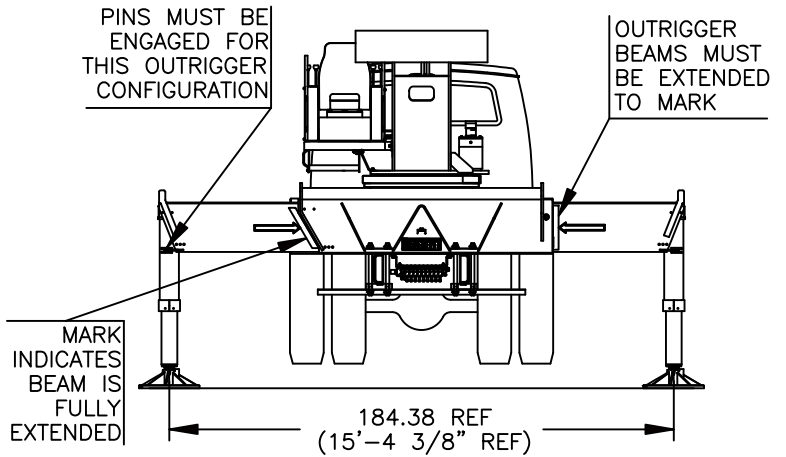


**MAIN BOOM LIFTING CAPACITIES**

LOAD RADIUS (FT)	BOOM LENGTH 34 FT			BOOM LENGTH 50 FT (A)			BOOM LENGTH 65 FT (B)			DEDUCTIONS FOR JIB FROM MAIN BOOM CAPACITIES
	LOADED BOOM ANGLE (DEG)	CODE 1	CODE 3	LOADED BOOM ANGLE (DEG)	CODE 1	CODE 3	LOADED BOOM ANGLE (DEG)	CODE 1	CODE 3	
		OVER REAR (LBS)	FULL 360° (LBS)		OVER REAR (LBS)	FULL 360° (LBS)		OVER REAR (LBS)	FULL 360° (LBS)	
6	71	100000	100000							
8	67.5	88500	88500							
10	63.5	78200	78200	73	51000	51000				
12	60	70200	70200	70.5	51000	51000	76	40000	40000	
15	53.5	60600	60600	67	51000	51000	73	40000	40000	
20	42	46100	46100	60.5	46600	46600	68.5	38810	38810	
25	26.5	35800	35800	53.5	36600	36600	63.5	33150	33150	
30				45.5	29650	25730	58.5	29000	26280	
35				36.5	23100	19090	53	23580	19610	
40				25	18340	14760	47	18820	15280	
45							40.5	15420	12240	
50							32.5	12860	9980	
55							22.5	10850	8230	
		1150 LBS		780 LBS		600 LBS		STOWED JIB		
		2940 LBS		2650 LBS		2510 LBS		ERECTED JIB (RETRACTED)		
		3320 LBS		2910 LBS		2710 LBS		ERECTED JIB (EXTENDED)		

LOAD RADIUS (FT)	BOOM LENGTH 80 FT (C)			BOOM LENGTH 95 FT (D)			BOOM LENGTH 110 FT (E)			DEDUCTIONS FOR JIB FROM MAIN BOOM CAPACITIES
	LOADED BOOM ANGLE (DEG)	CODE 1	CODE 3	LOADED BOOM ANGLE (DEG)	CODE 1	CODE 3	LOADED BOOM ANGLE (DEG)	CODE 1	CODE 3	
		OVER REAR (LBS)	FULL 360° (LBS)		OVER REAR (LBS)	FULL 360° (LBS)		OVER REAR (LBS)	FULL 360° (LBS)	
15	77	28230	28230							
20	73.5	28230	28230	76.5	20000	20000				
25	69.5	24350	24350	73.5	20000	20000	76.5	15500	15500	
30	65.5	21280	21280	70.5	18680	18680	74	15500	15500	
35	61.5	19000	19000	67.5	16580	16580	71.5	14660	14660	
40	57.5	16870	15560	64	14820	14820	69	13270	13270	
45	53	15120	12510	60.5	13330	12690	66	11960	11960	
50	48	13120	10250	57	12050	10420	63	10850	10540	
55	43	11120	8510	53	10920	8680	60	9950	8800	
60	37	9520	7130	49	9680	7300	56.5	9210	7410	
65	30	8210	6000	44.5	8370	6170	53.5	8410	6280	
70	21	7100	5050	40	7280	5240	50	7390	5350	
75				34.5	6350	4440	46	6460	4560	
80				28	5550	3770	42	5660	3880	
85				20	4850	3170	37.5	4970	3300	
90							33	4370	2790	
95							27	3830	2330	
100							19	3350	1920	
		490 LBS		420 LBS		360 LBS		STOWED JIB		
		2420 LBS		2360 LBS		2320 LBS		ERECTED JIB (RETRACTED)		
		2580 LBS		2500 LBS		2430 LBS		ERECTED JIB (EXTENDED)		

**USE THIS CHART ONLY  
WHEN ALL OUTRIGGER  
BEAMS ARE IN THE MID  
POSITION**



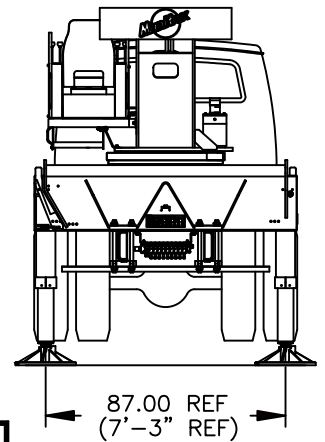
**MAIN BOOM LIFTING CAPACITIES**

LMI CODE 4												
LOAD RADIUS (FT)	BOOM LENGTH 34 FT		BOOM LENGTH 50 FT (A)		BOOM LENGTH 65 FT (B)		BOOM LENGTH 80 FT (C)		BOOM LENGTH 95 FT (D)		BOOM LENGTH 110 FT (E)	
	LOADED BOOM ANGLE (DEG)	FULL 360° (LBS)	LOADED BOOM ANGLE (DEG)	FULL 360° (LBS)	LOADED BOOM ANGLE (DEG)	FULL 360° (LBS)	LOADED BOOM ANGLE (DEG)	FULL 360° (LBS)	LOADED BOOM ANGLE (DEG)	FULL 360° (LBS)	LOADED BOOM ANGLE (DEG)	FULL 360° (LBS)
6	71	100000										
8	67.5	88500										
10	63.5	78200	73	51000								
12	60	70200	70.5	51000	76	40000						
15	53.5	45530	67	47040	73	40000	77	28230				
20	42	24600	60.5	25780	68.5	26320	73.5	26660	76.5	20000		
25	26.5	15680	53.5	16780	63.5	17250	69.5	17540	73.5	17730	76.5	15500
30			45.5	11800	58.5	12240	65.5	12500	70.5	12680	74	12800
35			36.5	8630	53	9060	61.5	9300	67.5	9470	71.5	9580
40			25	6410	47	6850	57.5	7100	64	7250	69	7360
45					40.5	5240	53	5480	60.5	5630	66	5730
50					32.5	3990	48	4240	57	4380	63	4490
55					22.5	3000	43	3250	53	3400	60	3500
60							37	2460	49	2610	56.5	2710
65							30	1790	44.5	1950	53.5	2050
70							21	1230	40	1400	50	1500
75									34.5	920	46	1020
80												

DEDUCTIONS FOR JIB FROM MAIN BOOM CAPACITIES

1150 LBS	780 LBS	600 LBS	490 LBS	420 LBS	360 LBS	STOWED JIB
2940 LBS	2650 LBS	2510 LBS	2420 LBS	2360 LBS	2320 LBS	ERECTED JIB (RETRACTED)
3320 LBS	2910 LBS	2710 LBS	2580 LBS	2500 LBS	2430 LBS	ERECTED JIB (EXTENDED)

**USE THIS CHART WHEN ALL  
OUTRIGGER BEAMS ARE NOT IN  
EITHER THE MID OR FULLY  
EXTENDED POSITION**



**MAIN BOOM LIFTING CAPACITIES**

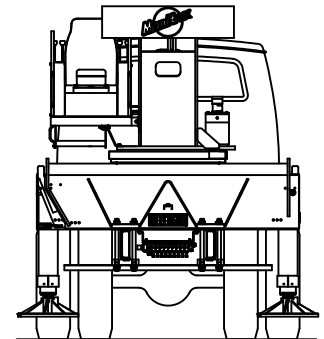
LMI CODE 5													
LOAD RADIUS (FT)	BOOM LENGTH 34 FT		BOOM LENGTH 50 FT (A)		BOOM LENGTH 65 FT (B)		BOOM LENGTH 80 FT (C)		BOOM LENGTH 95 FT (D)		BOOM LENGTH 110 FT (E)		
	LOADED BOOM ANGLE (DEG)	FULL 360° (LBS)	LOADED BOOM ANGLE (DEG)	FULL 360° (LBS)	LOADED BOOM ANGLE (DEG)	FULL 360° (LBS)	LOADED BOOM ANGLE (DEG)	FULL 360° (LBS)	LOADED BOOM ANGLE (DEG)	FULL 360° (LBS)	LOADED BOOM ANGLE (DEG)	FULL 360° (LBS)	
6	71	85320											
8	67.5	43660											
10	63.5	28120	73	29380									
12	60	20000	70.5	21100	76	21630							
15	53.5	13160	67	14130	73	14590	77	14880					
20	42	7300	60.5	8180	68.5	8590	73.5	8830	76.5	9000			
25	26.5	4130	53.5	5010	63.5	5390	69.5	5610	73.5	5760	76.5	5870	
30			45.5	3030	58.5	3390	65.5	3610	70.5	3750	74	3850	
35			36.5	1660	53	2030	61.5	2240	67.5	2380	71.5	2470	
40					47	1040	57.5	1250	64	1380	69	1480	
	1150 LBS		780 LBS		600 LBS		490 LBS		420 LBS		360 LBS		STOWED JIB

DEDUCTIONS FOR JIB FROM MAIN BOOM CAPACITIES

**WARNINGS**

1. THE JIB MUST BE IN THE STOWED POSITION, IF SO EQUIPPED, WHEN USING THIS OUTRIGGER CONFIGURATION.

**USE THIS CHART  
WHEN PICKING  
LOADS ON TIRES**



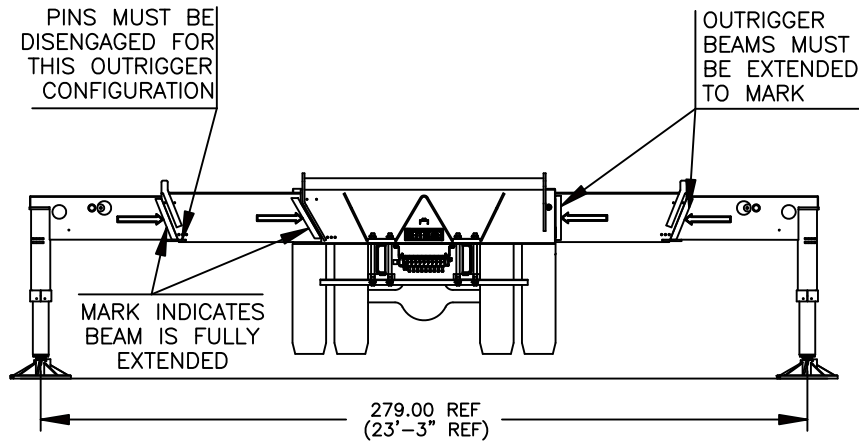
**ON TIRE CAPACITIES      WARNINGS**

LMI CODE 6			
LOAD RADIUS (FT)	MAX BOOM LENGTH (FT)	BOOM DIRECTLY OVER REAR (LBS)	STOWED JIB DEDUCTION (LBS)
10	34	10000	1150
12	34	9000	1150
15	34	7600	1150
20	34	4650	1150
25	50 (A)	2800	780
30	50 (A)	1550	780

1. CRANE LOAD RATINGS ON TIRES ARE BASED ON THE CRANE BEING LEVEL AND TRAVELING ON A FIRM UNIFORM SURFACE (BLACK TOP, CONCRETE OR SIMILAR SURFACE).
2. TIRES MUST BE INFLATED TO 120 PSI FOR PICKING ON TIRES. CONSULT TRUCK MANUAL FOR PROPER INFLATION PROCEDURE.
3. THE JIB MUST BE IN THE STOWED POSITION, IF SO EQUIPPED, WHEN PICKING ON TIRES.
4. WHEN LIFTING ON TIRES, THE BOOM MUST BE CENTERED OVER THE REAR OF THE CRANE WITH THE SWING BRAKE AND THE HOUSELOCK ENGAGED.
5. KEEP THE LOAD CLOSE TO THE GROUND AND RESTRAINED FROM SWINGING.
6. WHEN THE RADIUS IS BETWEEN LISTED VALUES, USE THE SMALLER OF THE TWO LOAD RATINGS.
7. DO NOT OPERATE AT LONGER RADII THAN THOSE LISTED ON THE LOAD CHART.



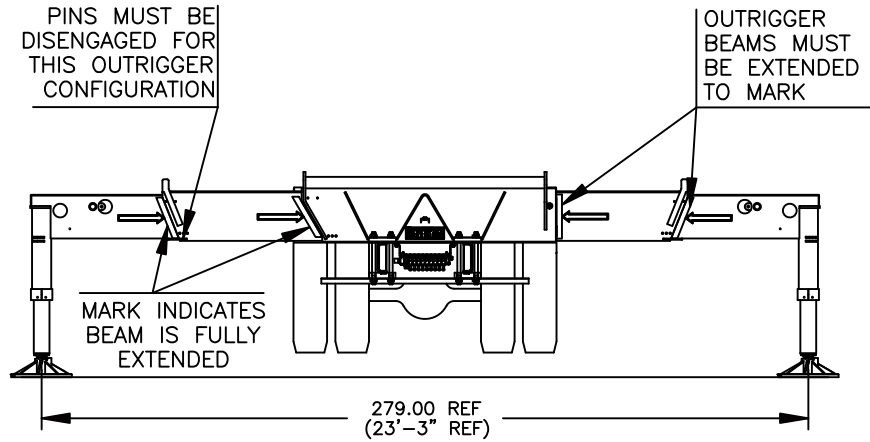
**USE THIS CHART ONLY  
WHEN ALL OUTRIGGER  
BEAMS ARE FULLY  
EXTENDED**



**32 FT RETRACTED JIB LIFTING CAPACITIES**

LOAD RADIUS (FT)	LOADED BOOM ANGLE (DEG)	0' OFFSET		15' OFFSET			30' OFFSET		
		CODE 7	CODE 8	LOADED BOOM ANGLE (DEG)	CODE 9	CODE 10	LOADED BOOM ANGLE (DEG)	CODE 11	CODE 12
		OVER REAR (LBS)	FULL 360° (LBS)		OVER REAR (LBS)	FULL 360° (LBS)		OVER REAR (LBS)	FULL 360° (LBS)
35	76.5	7300	7300						
40	74.5	7300	7300						
45	72.5	7300	7300	76	6500	6500			
50	70.5	7300	7300	73.5	6500	6500	76	5800	5800
55	68.5	6980	6980	71.5	6500	6500	74	5800	5800
60	66.5	6600	6600	69.5	6120	6120	72	5750	5750
65	64	6230	6230	67	5780	5780	69.5	5450	5450
70	62	5870	5330	65	5450	5450	67	5160	5160
75	59.5	5530	4520	62.5	5160	4930	64.5	4900	4900
80	57	5110	3830	60	4880	4200	62	4670	4500
85	54.5	4690	3240	57.5	4630	3570	59.5	4450	3830
90	52	4270	2720	54.5	4400	3010	56.5	4250	3250
95	49	3730	2260	51.5	3990	2530	53.5	4070	2730
100	46	3250	1860	48.5	3480	2090	50.5	3650	2260
105	43	2820	1490	45.5	3020	1700	47	3160	1840
110	39.5	2440	1170	42	2610	1350	43.5	2720	1460
115	35.5	2080	870	38	2230	1020	39	2320	1110
120	31.5	1770		34	1890		34.5	1940	790
125	26.5	1470		29	1570		29	1590	
130	20.5	1200		22	1260		20	1240	
135	10	950							
140									

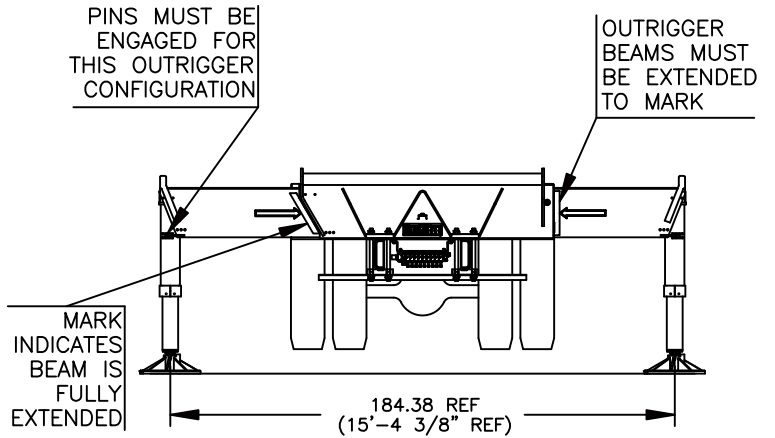
**USE THIS CHART ONLY  
WHEN ALL OUTRIGGER  
BEAMS ARE FULLY  
EXTENDED**



**49 FT EXTENDED JIB LIFTING CAPACITIES**

LOAD RADIUS (FT)	LOADED BOOM ANGLE (DEG)	0° OFFSET		15° OFFSET			30° OFFSET		
		CODE 13	CODE 14	LOADED BOOM ANGLE (DEG)	CODE 15	CODE 16	LOADED BOOM ANGLE (DEG)	CODE 17	CODE 18
		OVER REAR (LBS)	FULL 360° (LBS)		OVER REAR (LBS)	FULL 360° (LBS)		OVER REAR (LBS)	FULL 360° (LBS)
40	77	5400	5400						
45	75	5400	5400						
50	73.5	5400	5400	77	4700	4700			
55	71.5	5400	5400	75	4700	4700			
60	69.5	5400	5400	73.5	4480	4480	77	3520	3520
65	68	5230	5230	71.5	4280	4280	75	3520	3520
70	66	4930	4930	69.5	4100	4100	73.5	3410	3410
75	64	4660	4660	67.5	3940	3940	71	3310	3310
80	62	4410	4410	65.5	3790	3790	69	3210	3210
85	60	4170	3840	63.5	3650	3650	67	3130	3130
90	57.5	3950	3320	61.5	3520	3520	64.5	3050	3050
95	55.5	3750	2850	59	3400	3280	62	2980	2980
100	53	3560	2440	57	3290	2830	59.5	2910	2910
105	50.5	3380	2080	54.5	3190	2420	57	2860	2700
110	48	3000	1750	52	3050	2060	54.5	2810	2300
115	45.5	2650	1450	49	2920	1730	51.5	2760	1940
120	42.5	2330	1180	46	2570	1430	48.5	2730	1610
125	39.5	2030	930	43	2250	1150	45	2400	1300
130	36	1760		39.5	1950	890	41	2070	1010
135	32	1510		35.5	1670		36.5	1750	
140	28	1280		31	1410		31	1450	
145	22.5	1070		25	1160				
150	15	870		15.5	900				
155									

**USE THIS CHART ONLY  
WHEN ALL OUTRIGGER  
BEAMS ARE IN THE MID  
POSITION**



**32 FT RETRACTED JIB LIFTING CAPACITIES**

LOAD RADIUS (FT)	0° OFFSET		15° OFFSET		30° OFFSET	
	LOADED BOOM ANGLE (DEG)	CODE 19 FULL 360° (LBS)	LOADED BOOM ANGLE (DEG)	CODE 20 FULL 360° (LBS)	LOADED BOOM ANGLE (DEG)	CODE 21 FULL 360° (LBS)
35	76.5	7300				
40	74.5	7300				
45	72.5	5680	76	6450		
50	70.5	4410	73.5	5070	76	5660
55	68.5	3400	71.5	3990	74	4490
60	66.5	2590	69.5	3110	72	3550
65	64	1920	67	2380	69.5	2770
70	62	1360	65	1770	67	2110
75	59.5	880	62.5	1240	64.5	1540
80			60	790	62	1060

**49 FT EXTENDED JIB LIFTING CAPACITIES**

LOAD RADIUS (FT)	0° OFFSET		15° OFFSET		30° OFFSET	
	LOADED BOOM ANGLE (DEG)	CODE 22 FULL 360° (LBS)	LOADED BOOM ANGLE (DEG)	CODE 23 FULL 360° (LBS)	LOADED BOOM ANGLE (DEG)	CODE 24 FULL 360° (LBS)
40	77	5400				
45	75	5400				
50	73.5	5070	77	4700		
55	71.5	4050	75	4700		
60	69.5	3220	73.5	3980	77	3520
65	68	2540	71.5	3220	75	3520
70	66	1970	69.5	2580	73.5	3130
75	64	1480	67.5	2040	71	2520
80	62	1060	65.5	1560	69	2000
85			63.5	1150	67	1540
90			61.5	790	64.5	1140
95					62	780