

STANDARD COMPONENTS INCLUDE:

Boom, boom rest, boom hoist cylinder, 2-speed winch, load line and 5 ton (4,5 mt) overhaul ball, turret with 1,720 lb (3,765 kg) counterweight, ride-around operator control station with enclosed cab, cab heater, wired LMI and ATB protection systems, sub-frame with integrated radio remote controlled outriggers, single front stabilizer, aluminum deck with fixed access ladders, removable aluminum ladder, 3-section pump, hydraulic reservoir and oil cooler.

HYDRAULICS

- 8-Bolt direct mounted PTO with SAE C output (factory mounted units only)
- Three section vane pump, SAE C input

Pump Section	2000 RPM	2000 RPM
Shaft End Pump:	41.67 GPM @ 100 PSI	158 LPM @ 100 PSI
Center Pump:	35 GPM @ 100 PSI	133 LPM @ 100 PSI
Cover End Pump:	11.67 GPM @ 100 PSI	44 LPM @ 100 PSI

- Hydraulic reservoir - 150 gallon (568 liter) capacity

OPTIONS

- Heavy lift option - consult Manitex
- Bridge legal options available - consult Manitex
- Intermediate & Long subframe options for NO Front Stabilizer configuration - consult Manitex
- Three-section gear pump, SAE C input
- 39' (11,9 m) 1-Section fixed jib; 0°, 15 °, 30 ° offset positions
- Auxiliary winch same as main, includes rooster sheave
- Auxiliary lower sheave block for 9 to 10 part line
- 3rd Wrap limiter, main and auxiliary winch
- Load block - 1, 3, 4 and 5 sheave options

BOOM

- 50 Ton (45,4 mt) capacity @ 6' (1,8 m) radius
- 5-Section 155' (47,2 m) proportional boom
- 6-Sheave quick reeve boom point

HOIST

- Maximum theoretical line speed 453 fpm (138 mpm)
- Maximum theoretical bottom-layer line pull 13,396 lb (6,076 kg)
- Wire Rope – 500' (152,4 m), 5/8" (15,9 mm) diameter rotation resistant, Flex X-35

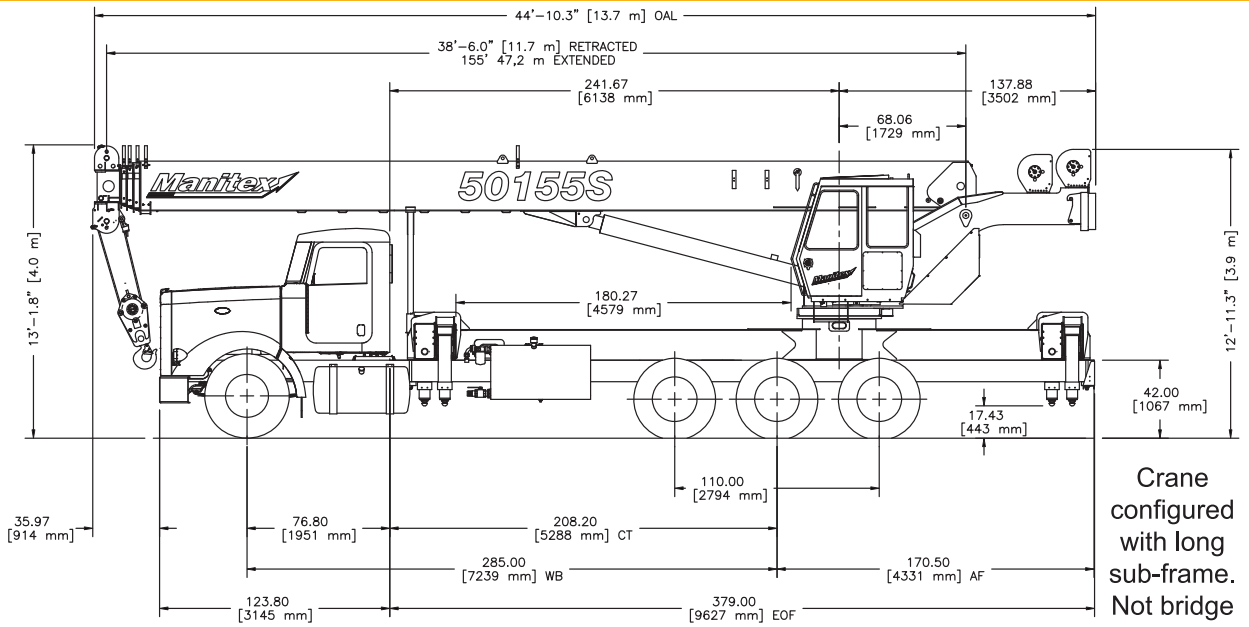
WARNING SYSTEMS

- Wired LMI with crane function shut-offs for overload protection
- Graphical display
- Event recorder
- WADS - Work Area Definition System
- Wired anti-two block system

In order to ensure continuous improvement, Manitex reserves the right to change design and specifications without notice.

- Cab air conditioner (hydraulic)
- Toolboxes
 - 24" L x 20" W x 18" H (610 mm x 508 mm x 457 mm)
 - 48" L x 18" W x 18" H (1220 mm x 457 mm x 457 mm)
- 2-Person gravity leveled non-rotating basket - 600 lb (272 kg) capacity
- 2-Person gravity leveled rotating (manual) basket – 1,200 lb (544 kg) capacity
- 2-Person gravity leveled rotating (manual) quick attach basket – 1,200 lb (544 kg) capacity
- 4-Function radio remote crane control system 900 MHz
- 4-Function radio remote crane control system 433 MHz

Front stabilizer may be required with some configurations - consult Manitex



Crane configured with long sub-frame. Not bridge legal without permits.

CHASSIS DATA	50155S
Wheelbase (WB)	285" 7 239 mm
Cab to Tandem (CT)	208.2" 5 288 mm
Cab to End of Frame (EOF)	379" 9 627 mm
Frame Section Modulus	27.0 in ³ (442.5 cm ³) 110,000 psi 758 423 kPa
Front Axle Gross Weight Rating	20,000 lb 9 071 kg
Rear Axle Gross Weight Rating	56,000 lb 25 401 kg
Minimum Truck Axle Weight - Front*	10,750 lb 4 876 kg
Minimum Truck Axle Weight - Back*	12,300 lb 5 579 kg
Nominal Frame Width	34" 864 mm
Chassis data is minimum general requirements-not for engineering. Actual dimensions and truck data will depend on truck selection and axle configuration. *Minimum chassis weight is required to meet 85% stability requirements.	

WEIGHTS	50155S
Crane (Includes Cab and Platforms)	43,927 lb 19 925 kg
Cab	575 lb 261 kg
Aluminum Platforms	650 lb 295 kg
Fixed Jib 31' (9,4 m)	1,510 lb 685 kg
MAXIMUM TIP HEIGHT (A)	50155S
Configuration	Boom 155' 47,2 m
Extended Boom	163'-2" 49,7 m
Fixed Jib	202'-4" 61,7 m

