

# Load Rating Chart

***Model 5096S***

***Manitex***

© Manitex 2000

**NOTE:** Additional copies of this Load Rating Chart can be purchased from your Manitex Distributor. When ordering, use the part number shown in the bottom left corner of this page.



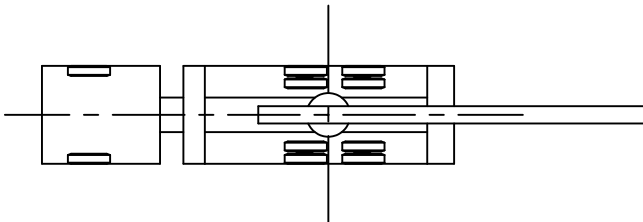


ALLOWABLE LINE PULL										<b>WARNING</b>
1 PART LINE	2 PART LINE	3 PART LINE	4 PART LINE	5 PART LINE	6 PART LINE	7 PART LINE	8 PART LINE	9 PART LINE	10 PART LINE	
										ANTI-TWO-BLOCK SYSTEM MUST BE IN GOOD OPERATING CONDITION BEFORE OPERATING CRANE.  REFER TO THE OWNER'S MANUAL.  KEEP AT LEAST 3 WRAPS OF LOAD LINE ON THE DRUM AT ALL TIMES.
4,53 t	9,07 t	13,60 t	18,14 t	22,68 t	27,21 t	31,75 t	36,28 t	40,82 t	45,35 t	1,6 mm 6 X 19 CLASS (3.5:1 SF) 15875,73 Kg MIN BREAKING STRENGTH  1,6 mm ROT RESISTANT (5:1 SF) 22679,61 Kg MIN BREAKING STRENGTH

## AREA OF OPERATIONS

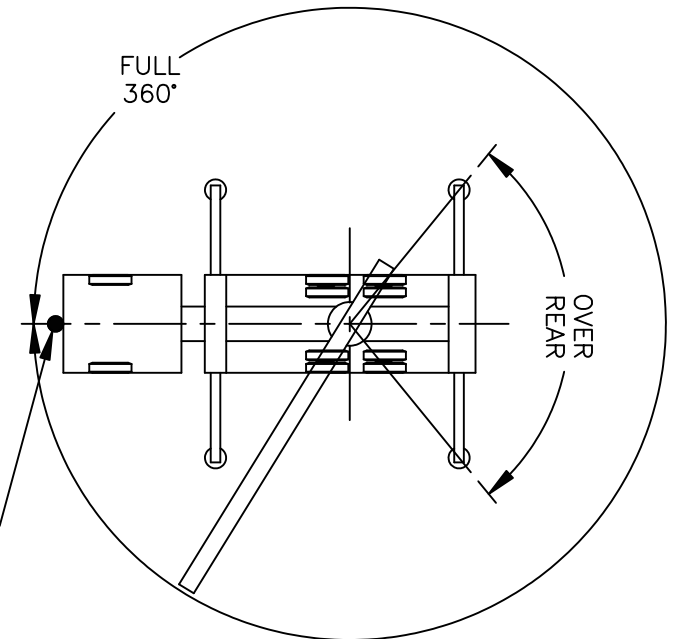
### ON TIRES

WHEN LIFTING ON TIRES, THE BOOM MUST BE CENTERED OVER THE REAR OF THE CRANE WITH THE SWING BRAKE AND THE HOUSELOCK ENGAGED.



### ON OUTRIGGERS

FULL 360°

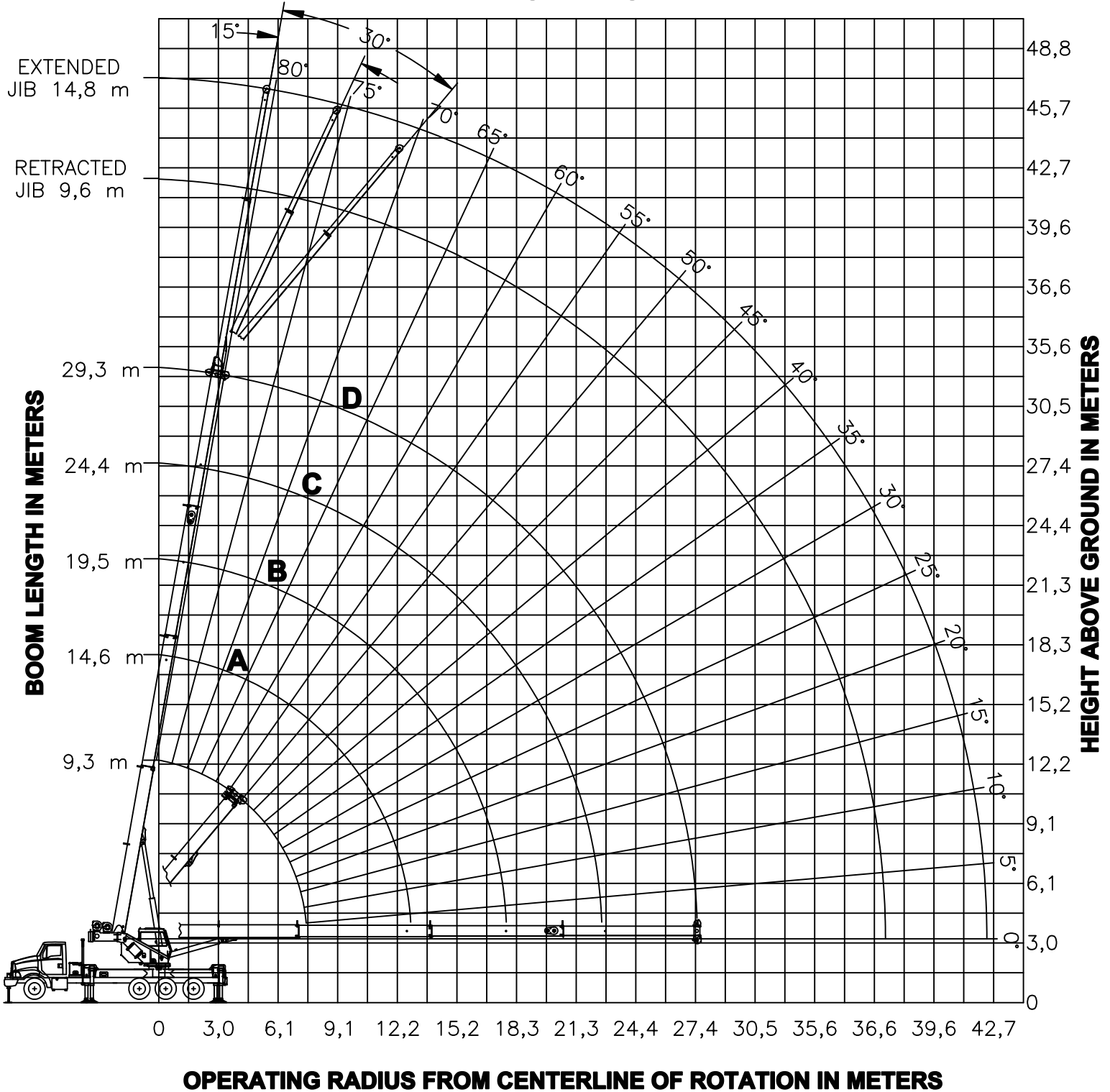


THE FRONT BUMPER STABILIZER MUST BE SET IN ACCORDANCE TO THE OPERATORS MANUAL BEFORE WORKING IN THE THE "FULL 360°" AREA.

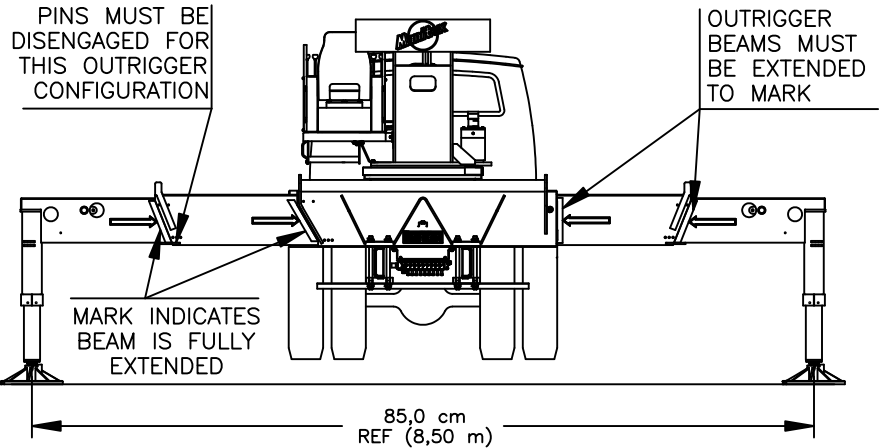
### DEDUCTIONS FROM RATED LOADS FOR LOAD HANDLING DEVICES SUPPLIED BY MANITEX

AUXILIARY BLOCK	-----	22,67 Kg
ROOSTER SHEAVE	-----	31,75 Kg
LIFTING FROM MAIN BOOM WITH JIB STOWED OR ERECTED	-----	SEE LOAD CHART
OVERHAUL BALL	-----	SEE MANUFACTURER NAMEPLATE
LOAD BLOCK	-----	SEE MANUFACTURER NAMEPLATE

# - RANGE DIAGRAM -



**USE THIS CHART ONLY  
WHEN ALL OUTRIGGER  
BEAMS ARE FULLY  
EXTENDED**



**MAIN BOOM LIFTING CAPACITIES**

LOAD RADIUS (m)	BOOM LENGTH 9,3 m			BOOM LENGTH 14,6 m (A)			BOOM LENGTH 19,5 m (B)		
	LOADED BOOM ANGLE (DEG)	CODE 1	CODE 3	LOADED BOOM ANGLE (DEG)	CODE 1	CODE 3	LOADED BOOM ANGLE (DEG)	CODE 1	CODE 3
		OVER REAR (Kg)	FULL 360° (Kg)		OVER REAR (Kg)	FULL 360° (Kg)		OVER REAR (Kg)	FULL 360° (Kg)
1,8	69	45,35	45,35						
2,4	65	41,00	41,00						
3,0	61	36,28	36,28	73	23,13	23,13			
3,7	56	32,56	32,56	70	23,13	23,13	76	18,14	18,14
4,6	49	27,98	27,98	66	23,13	23,13	73	18,14	18,14
6,1	34	20,91	20,91	59	21,31	21,31	69	17,10	17,10
7,6				52	16,69	16,69	64	13,78	13,78
9,1				44	13,37	11,74	59	12,26	11,98
10,7				34	10,26	8,76	53	10,47	8,99
12,2				20	8,17	6,81	47	8,39	7,05
13,7							40	6,90	5,69
15,2							32	5,78	4,68
16,8							21	4,90	3,89

DEDUCTIONS FOR JIB FROM MAIN BOOM CAPACITIES

,48 t	,31 t	,23 t	STOWED JIB
1,38 t	1,21 t	1,14 t	ERECTED JIB (RETRACTED)
1,57 t	1,33 t	1,23 t	ERECTED JIB (EXTENDED)

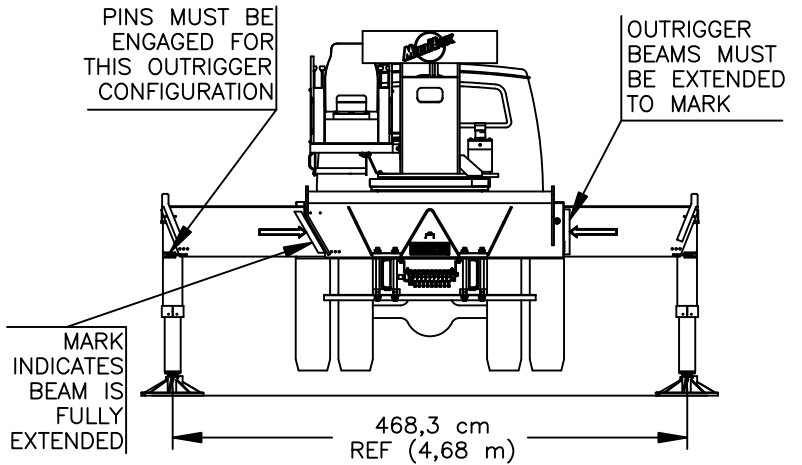
LOAD RADIUS (m)	BOOM LENGTH 24,38 m (C)			BOOM LENGTH 29,26 m (D)		
	LOADED BOOM ANGLE (DEG)	CODE 1	CODE 3	LOADED BOOM ANGLE (DEG)	CODE 1	CODE 3
		OVER REAR (Kg)	FULL 360° (Kg)		OVER REAR (Kg)	FULL 360° (Kg)
4,6	77	12,47	1,24			
6,1	74	12,47	1,24	78	8,16	8,16
7,6	70	11,02	1,10	75	8,16	8,16
9,1	66	9,65	9,65	72	7,93	7,93
10,7	62	8,64	8,64	69	7,36	7,36
12,2	58	7,70	7,17	65	6,64	6,64
13,7	53	6,91	5,81	62	6,02	5,88
15,2	49	5,89	4,79	58	5,50	4,86
16,8	44	5,02	4,01	54	5,02	4,09
18,3	38	4,32	3,40	50	4,39	3,46
19,8	31	3,74	2,89	46	3,81	2,96
21,3	22	3,26	2,47	41	3,33	2,54
22,9				36	2,93	2,19
24,4				30	2,58	1,89
25,9				23	2,27	1,62
27,4				8	2,00	1,38

DEDUCTIONS FOR JIB FROM MAIN BOOM CAPACITIES

,18 t	,15 t	STOWED JIB
1,09 t	1,07 t	ERECTED JIB (RETRACTED)
1,17 t	1,12 t	ERECTED JIB (EXTENDED)

All load ratings in tonnes (t)

**USE THIS CHART ONLY  
WHEN ALL OUTRIGGER  
BEAMS ARE IN THE MID  
POSITION**

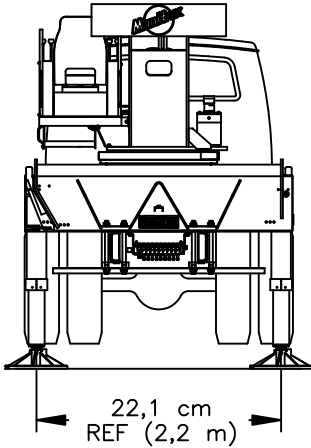


**MAIN BOOM LIFTING CAPACITIES**

LMI CODE 4											
LOAD RADIUS (m)	BOOM LENGTH 9,3 m		BOOM LENGTH 14,6 m (A)		BOOM LENGTH 19,5 m (B)		BOOM LENGTH 24,4 m (C)		BOOM LENGTH 29,3 m (D)		
	LOADED BOOM ANGLE (DEG)	FULL 360° (t)	LOADED BOOM ANGLE (DEG)	FULL 360° (t)	LOADED BOOM ANGLE (DEG)	FULL 360° (t)	LOADED BOOM ANGLE (DEG)	FULL 360° (t)	LOADED BOOM ANGLE (DEG)	FULL 360° (t)	
1,8	69	45,35									
2,4	65	41,00									
3,0	61	36,28	73	23,13							
3,7	56	32,56	70	23,13	76	18,14					
4,6	49	20,50	66	21,25	73	18,14	77	12,47			
6,1	34	11,14	59	11,74	69	11,98	74	12,12	78	8,16	
7,6			52	7,72	64	7,92	70	8,04	75	8,12	
9,1			44	5,49	59	5,68	66	5,79	72	5,86	
10,7			34	4,07	53	4,26	62	4,36	69	4,43	
12,2			20	3,07	47	3,27	58	3,37	65	3,44	
13,7					40	2,55	53	2,65	62	2,71	
15,2					32	2,00	49	2,10	58	2,16	
16,8					21	1,55	44	1,66	54	1,72	
18,3							38	1,31	50	1,36	
19,8							31	1,01	46	1,07	
21,3							22	0,76	41	0,83	
22,9									36	0,61	
24,4											
	0,48 t		0,31 t		0,23 t		0,18 t		0,15 t		DEDUCTIONS FOR JIB FROM MAIN BOOM CAPACITIES
	1,38 t		1,21 t		1,14 t		1,09 t		1,07 t		STOWED JIB
	1,57 t		1,33 t		1,23 t		1,17 t		1,12 t		ERECTED JIB (RETRACTED)
											ERECTED JIB (EXTENDED)

All load ratings in tonnes (t)

**USE THIS CHART WHEN ALL  
OUTRIGGER BEAMS ARE NOT IN  
EITHER THE MID OR FULLY  
EXTENDED POSITION**



**MAIN BOOM LIFTING CAPACITIES**

LMI CODE 5											
LOAD RADIUS (m)	BOOM LENGTH 9,3 m		BOOM LENGTH 14,6 m (A)		BOOM LENGTH 19,5 m (B)		BOOM LENGTH 24,4 m (C)		BOOM LENGTH 29,3 m (D)		
	LOADED BOOM ANGLE (DEG)	FULL 360° (t)	LOADED BOOM ANGLE (DEG)	FULL 360° (t)	LOADED BOOM ANGLE (DEG)	FULL 360° (t)	LOADED BOOM ANGLE (DEG)	FULL 360° (t)	LOADED BOOM ANGLE (DEG)	FULL 360° (t)	
1,8	69	38,04									
2,4	65	19,55									
3,0	61	12,65	73	13,27							
3,7	56	9,04	70	9,58	76	9,81					
4,6	49	6,01	66	6,49	73	6,68	77	6,80			
6,1	34	3,39	59	3,84	69	4,01	74	4,11	78	4,18	
7,6			52	2,43	64	2,59	70	2,68	75	2,75	
9,1			44	1,54	59	1,71	66	1,80	72	1,85	
10,7			34	0,93	53	1,10	62	1,19	69	1,25	
12,2			20	0,48	47	0,66	58	0,75	65	0,80	
	0,48 t		0,31 t		0,23 t		0,18 t		0,15 t		STOWED JIB

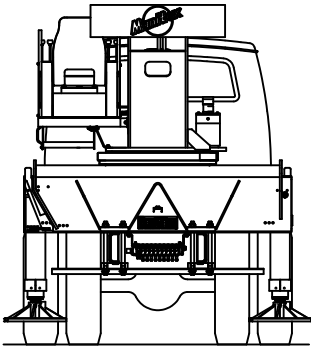
All load ratings in tonnes (t)

DEDUCTIONS FOR JIB FROM MAIN BOOM CAPACITIES

**WARNINGS**

1. THE JIB MUST BE IN THE STOWED POSITION, IF SO EQUIPPED, WHEN USING THIS OUTRIGGER CONFIGURATION.

**USE THIS CHART WHEN PICKING LOADS ON TIRES**



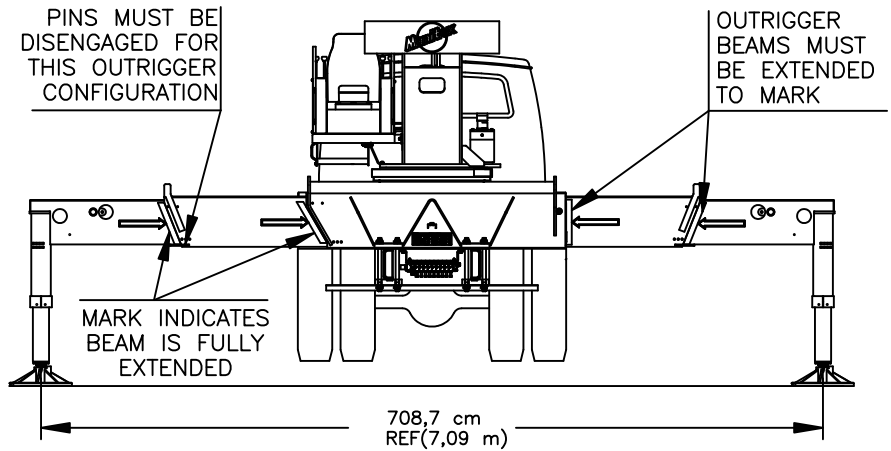
**ON TIRE CAPACITIES      WARNINGS**

LMI CODE 6			
LOAD RADIUS (m)	MAX BOOM LENGTH (m)	BOOM DIRECTLY OVER REAR (t)	STOWED JIB DEDUCTION (t)
3,0	9,3	5,44	0,48
3,7	9,3	4,98	0,48
4,6	9,3	4,30	0,48
6,1	14,6(A)	3,40	0,31
7,6	14,6(A)	2,26	0,31
9,1	14,6(A)	1,58	0,31
10,7	14,6(A)	1,13	0,31
12,2	14,6(A)	0,72	0,31

1. CRANE LOAD RATINGS ON TIRES ARE BASED ON THE CRANE BEING LEVEL AND TRAVELING ON A FIRM UNIFORM SURFACE (BLACK TOP, CONCRETE OR SIMILAR SURFACE).
2. TIRES MUST BE INFLATED TO 827 kPa FOR PICKING ON TIRES. CONSULT TRUCK MANUAL FOR PROPER INFLATION PROCEDURE.
3. THE JIB MUST BE IN THE STOWED POSITION, IF SO EQUIPPED, WHEN PICKING ON TIRES.
4. WHEN LIFTING ON TIRES, THE BOOM MUST BE CENTERED OVER THE REAR OF THE CRANE WITH THE SWING BRAKE AND THE HOUSE LOCK ENGAGED.
5. KEEP THE LOAD CLOSE TO THE GROUND AND RESTRAINED FROM SWINGING.
6. WHEN THE RADIUS IS BETWEEN LISTED VALUES, USE THE SMALLER OF THE TWO LOAD RATINGS.
7. DO NOT OPERATE AT LONGER RADII THAN THOSE LISTED ON THE LOAD CHART.



**USE THIS CHART ONLY  
WHEN ALL OUTRIGGER  
BEAMS ARE FULLY  
EXTENDED**

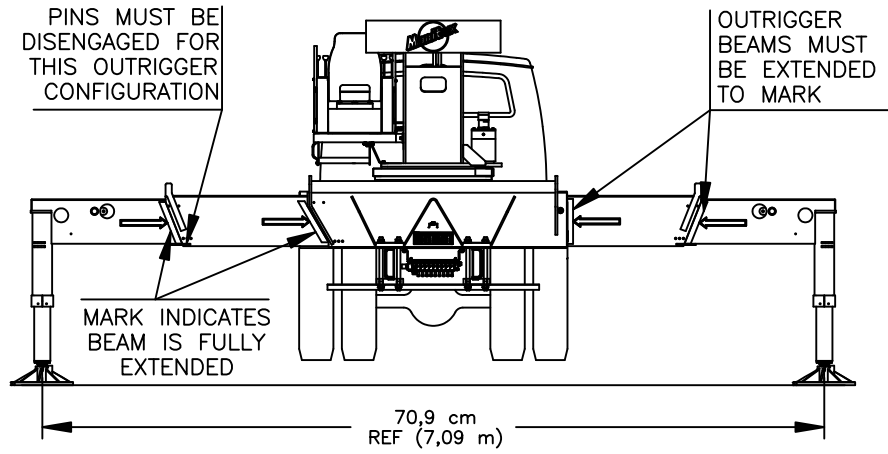


All load ratings  
in tonnes (t)

**9,6 m RETRACTED JIB LIFTING CAPACITIES**

LOAD RADIUS (m)	LOADED BOOM ANGLE (DEG)	0° OFFSET		15° OFFSET			30° OFFSET		
		CODE 7	CODE 8	LOADED BOOM ANGLE (DEG)	CODE 9	CODE 10	LOADED BOOM ANGLE (DEG)	CODE 11	CODE 12
		OVER REAR (t)	FULL 360° (t)		OVER REAR (t)	FULL 360° (t)		OVER REAR (t)	FULL 360° (t)
10,7	75	3,85	3,85						
12,2	73	3,85	3,85	76	3,44	3,44			
13,7	71	3,77	3,77	74	3,44	3,44	76	2,67	2,67
15,2	68	3,53	3,53	72	3,23	3,23	74	2,67	2,67
16,8	66	3,30	3,30	69	3,03	3,03	72	2,58	2,58
18,3	63	3,09	3,09	66	2,84	2,84	69	2,50	2,50
19,8	61	2,89	2,89	64	2,67	2,67	66	2,42	2,42
21,3	58	2,71	2,56	61	2,51	2,51	63	2,35	2,35
22,9	55	2,54	2,19	58	2,37	2,35	60	2,26	2,26
24,4	52	2,39	1,89	55	2,24	2,03	57	2,15	2,14
25,9	49	2,25	1,62	52	2,13	1,75	54	2,05	1,84
27,4	46	2,00	1,39	49	2,02	1,50	51	1,96	1,57
29,0	42	1,76	1,19	45	1,85	1,28	47	1,88	1,34
30,5	38	1,55	1,00	41	1,62	1,08	43	1,67	1,13
32,0	34	1,36	0,84	37	1,42	0,91	38	1,46	0,94
33,5	29	1,19	0,69	32	1,24	0,74	32	1,26	0,77
35,1	23	1,03	0,56	25	1,07	0,59	24	1,07	0,59
36,6	14	0,89	0,44	14	0,90	0,45			

**USE THIS CHART ONLY  
WHEN ALL OUTRIGGER  
BEAMS ARE FULLY  
EXTENDED**

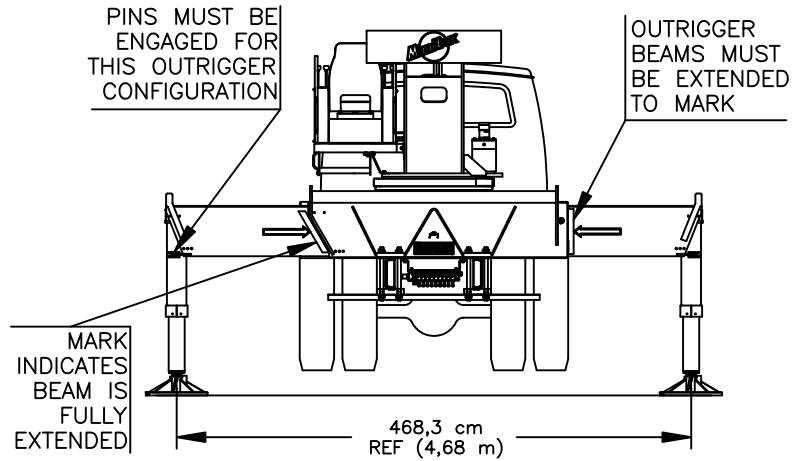


All load ratings  
in tonnes (t)

**14,8 m EXTENDED JIB LIFTING CAPACITIES**

LOAD RADIUS (m)	LOADED BOOM ANGLE (DEG)	0° OFFSET		15° OFFSET			30° OFFSET		
		CODE 13	CODE 14	LOADED BOOM ANGLE (DEG)	CODE 15	CODE 16	LOADED BOOM ANGLE (DEG)	CODE 17	CODE 18
		OVER REAR (t)	FULL 360° (t)	OVER REAR (t)	FULL 360° (t)	OVER REAR (t)	OVER REAR (t)	FULL 360° (t)	
12,2	75	2,54	2,54						
13,7	73	2,54	2,54	77	2,05	2,05			
15,2	71	2,54	2,54	75	2,05	2,05			
16,8	69	2,54	2,54	73	1,95	1,95	77	1,51	1,51
18,3	67	2,40	2,40	71	1,85	1,85	75	1,51	1,51
19,8	65	2,24	2,24	69	1,76	1,76	73	1,46	1,46
21,3	63	2,11	2,11	67	1,68	1,68	71	1,41	1,41
22,9	61	1,99	1,99	65	1,61	1,61	68	1,36	1,36
24,4	58	1,88	1,88	62	1,54	1,54	66	1,32	1,32
25,9	55	1,78	1,78	60	1,48	1,48	63	1,29	1,29
27,4	53	1,69	1,66	57	1,42	1,42	60	1,25	1,25
29,0	50	1,61	1,45	54	1,37	1,37	57	1,22	1,22
30,5	47	1,53	1,27	51	1,32	1,32	54	1,20	1,20
32,0	44	1,46	1,10	48	1,28	1,22	51	1,17	1,17
33,5	41	1,40	0,95	45	1,24	1,06	48	1,15	1,14
35,1	38	1,29	0,82	42	1,21	0,92	44	1,14	0,98
36,6	34	1,15	0,70	38	1,17	0,78	40	1,13	0,83
38,1	30	1,02	0,59	33	1,08	0,65	34	1,11	0,68
39,6	25	0,90	0,49	28	0,95	0,53	27	0,95	0,54
41,1	18	0,79	0,39	20	0,81	0,42			

**USE THIS CHART ONLY  
WHEN ALL OUTRIGGER  
BEAMS ARE IN THE MID  
POSITION**



All load ratings  
in tonnes (t)

**9,6 m RETRACTED JIB LIFTING CAPACITIES**

LOAD RADIUS (m)	0° OFFSET		15° OFFSET		30° OFFSET	
	LOADED BOOM ANGLE (DEG)	CODE 19	LOADED BOOM ANGLE (DEG)	CODE 20	LOADED BOOM ANGLE (DEG)	CODE 21
		FULL 360° (t)		FULL 360° (t)		FULL 360° (t)
10,7	75	3,85				
12,2	73	3,46	76	3,44		
13,7	71	2,72	74	3,02	76	2,67
15,2	68	2,15	72	2,41	74	2,64
16,8	66	1,70	69	1,93	72	2,13
18,3	63	1,34	66	1,54	69	1,71
19,8	61	1,04	64	1,22	66	1,36
21,3	58	0,78	61	0,94	63	1,07
22,9	55	0,57	58	0,71	60	0,82
24,4	52	0,39	55	0,51	57	0,60
25,9					54	0,41

**14,9 m EXTENDED JIB LIFTING CAPACITIES**

LOAD RADIUS (m)	0° OFFSET		15° OFFSET		30° OFFSET	
	LOADED BOOM ANGLE (DEG)	CODE 22	LOADED BOOM ANGLE (DEG)	CODE 23	LOADED BOOM ANGLE (DEG)	CODE 24
		FULL 360° (t)		FULL 360° (t)		FULL 360° (t)
12,2	75	2,54				
13,7	73	2,54	77	2,05		
15,2	71	2,44	75	2,05		
16,8	69	1,99	73	1,95	77	1,51
18,3	67	1,62	71	1,85	75	1,51
19,8	65	1,31	69	1,58	73	1,46
21,3	63	1,06	67	1,30	71	1,41
22,9	61	0,84	65	1,06	68	1,24
24,4	58	0,67	62	0,84	66	1,01
25,9	55	0,49	60	0,66	63	0,81
27,4			57	0,50	60	0,63
29,0					57	0,47